

ARCO

- Fig. 1 -Fit the rod (A) into the slot (B).
 -Slip the connector (C) into the hole in the base (D).
 -Screw the rod (A) to the base (D) with the screw (E).
 -Thread the wire (F) through the rod (A) and fit in the wire guide (G).
- Fig. 2 -Insert the large channel (H) into the rod (A).
 -The electric supply wire must be laid carefully along the bottom of the channels.
- Fig. 3 -Hook the small and medium channels onto the pins (I) depending on the position required.
- Fig. 4 -Unscrew the lampholder shell (J) and connect the wires (K).
NOTE: The retention clip must be pushed away from the lampholder shell before this can be completely unscrewed.
- Fig. 5 -Slide the reflector (L) over the channel (M) and fix the grid (N) to the lampholder (O) using the sleeve (Q).
 -Place the reflector (L) onto the grid (N).

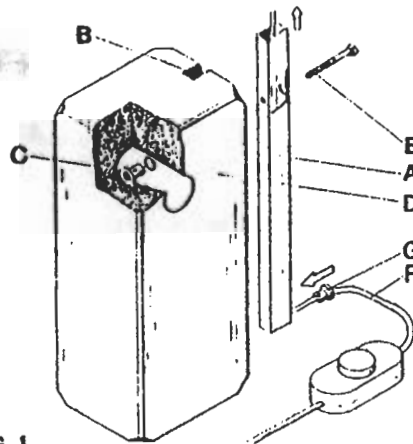
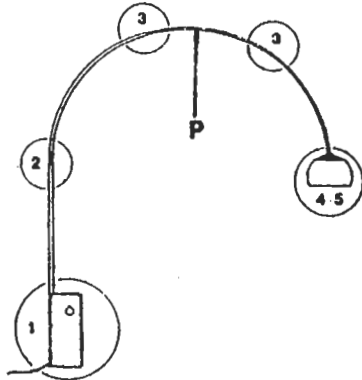


FIG.1

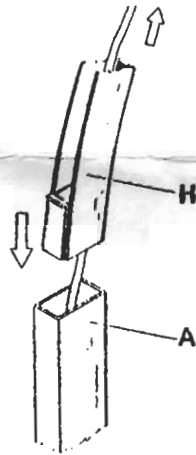


FIG.2

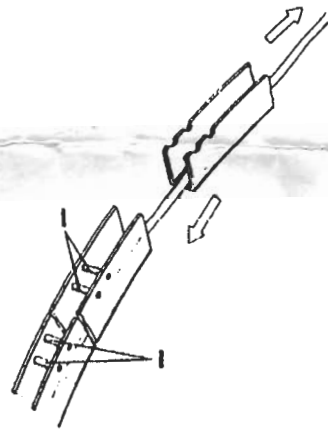


FIG.3

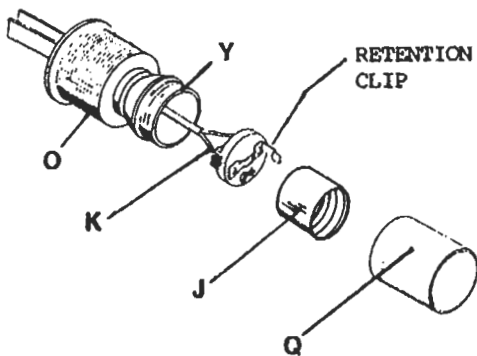


FIG.4

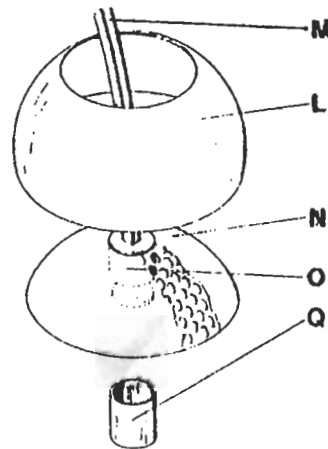


FIG.5