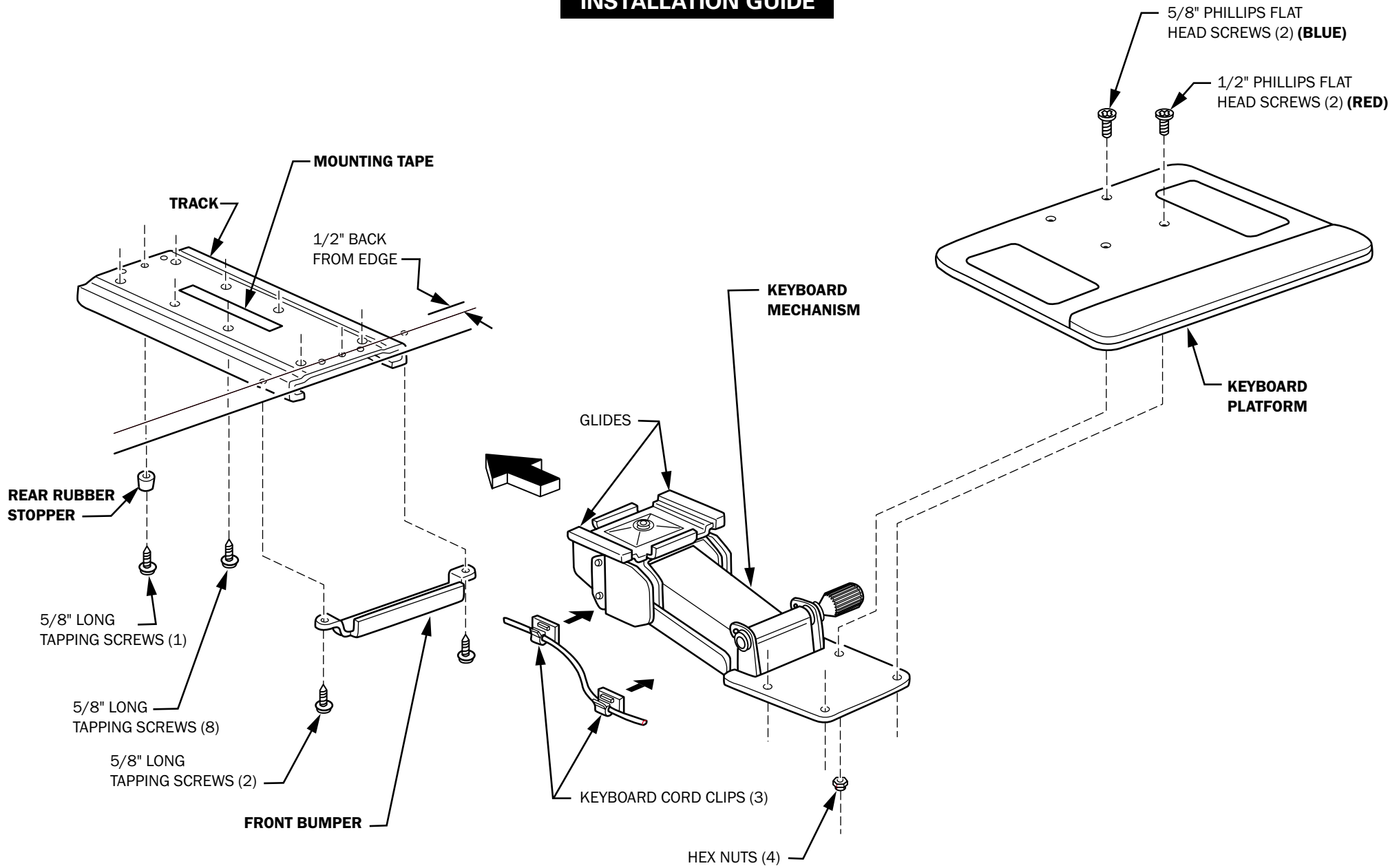


# INSTALLATION GUIDE



**STEP 1:** Using tape, affix track to underside of desk. Using tapping screws, attach **track** and **rear rubber stopper**.

**STEP 2:** Making sure **plastic glides** are in place, slide **mechanism** into **track**. Attach **front bumper** to **track**.

**STEP 3:** Attach **keyboard platform** to **mechanism**. Attach **keyboard cord clips** and **mouse cord clip** as desired.