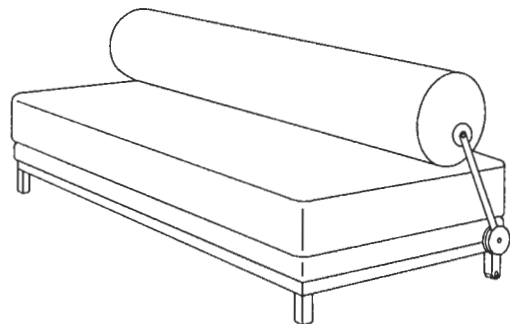


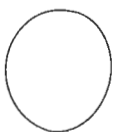
Sleep



A x 2



B x 2



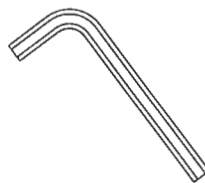
C x 2



D x 2



E x 4



F x 1



G x 2



H x 1

