

## ASSEMBLING THE GIULIA CREDENZA HARDWARE

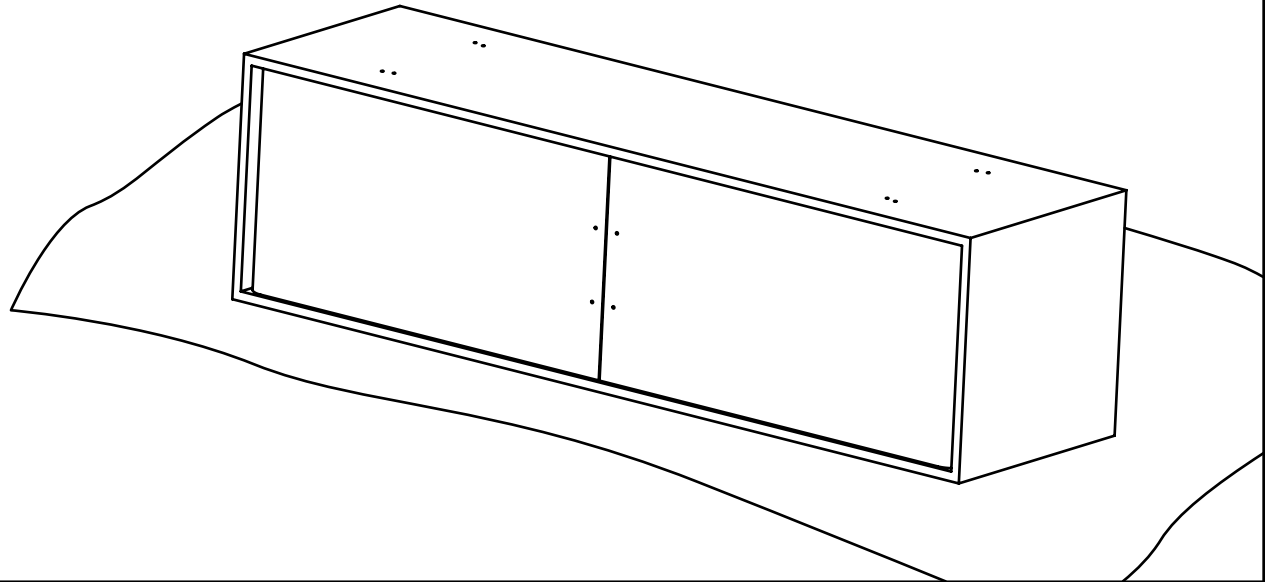
YOUR FURNITURE HAS BEEN CRAFTED WITH HIGH QUALITY FINISHES THROUGHOUT. BE VERY CAREFUL WHILE HANDLING THE PARTS DURING ASSEMBLY. THEY ARE HEAVY, AND CAN SCRATCH EACH OTHER OR HURT YOU. IT IS SUGGESTED THAT YOU WORK WITH ANOTHER PERSON TO AVOID DAMAGE OR INJURY.



WWW.DWR.COM

1

PLACE THE CABINET UPSIDE-DOWN ON A BLANKET TO PROTECT UPPER SURFACES. NOTE HOLES FOR LEG MOUNTING ON TOP.

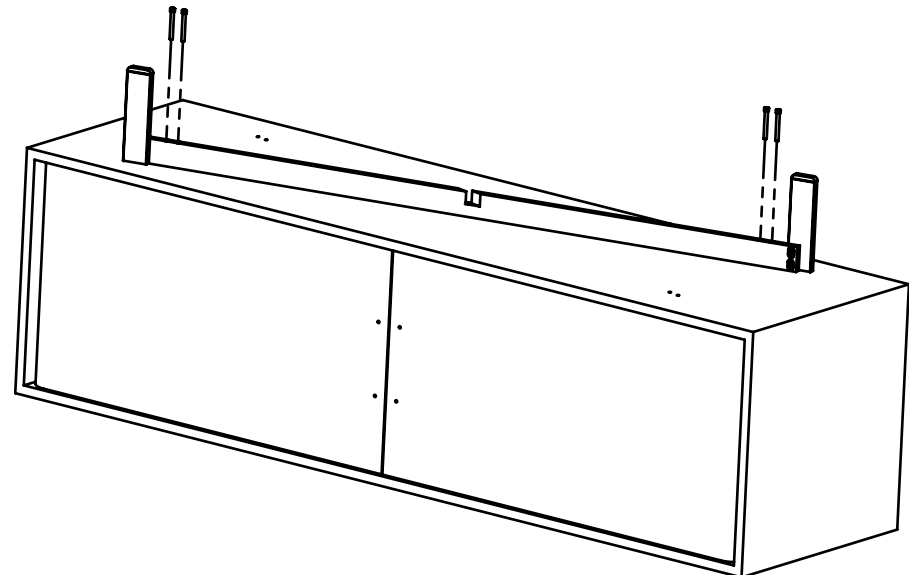


2

THE LEG ASSEMBLIES ARE MARKED "A" AND "B".

PLACE LEG "A" ON THE CABINET AND ATTACH WITH 4 OF THE LONG SCREWS SUPPLIED. USE THE SMALL ALLEN WRENCH, ALSO SUPPLIED.

NOTE THAT THE LEFT SIDE OF THE LEG ASSEMBLY IS CLOSER TO THE FRONT OF THE CABINET. THIS ENSURES THE SLOT IN THE MIDDLE OF THE CROSS PIECE IS ALIGNED FOR LEG "B".



## ASSEMBLING THE GIULIA CREDENZA HARDWARE

YOUR FURNITURE HAS BEEN CRAFTED WITH HIGH QUALITY FINISHES THROUGHOUT. BE VERY CAREFUL WHILE HANDLING THE PARTS DURING ASSEMBLY. THEY ARE HEAVY, AND CAN SCRATCH EACH OTHER OR HURT YOU. IT IS SUGGESTED THAT YOU WORK WITH ANOTHER PERSON TO AVOID DAMAGE OR INJURY.



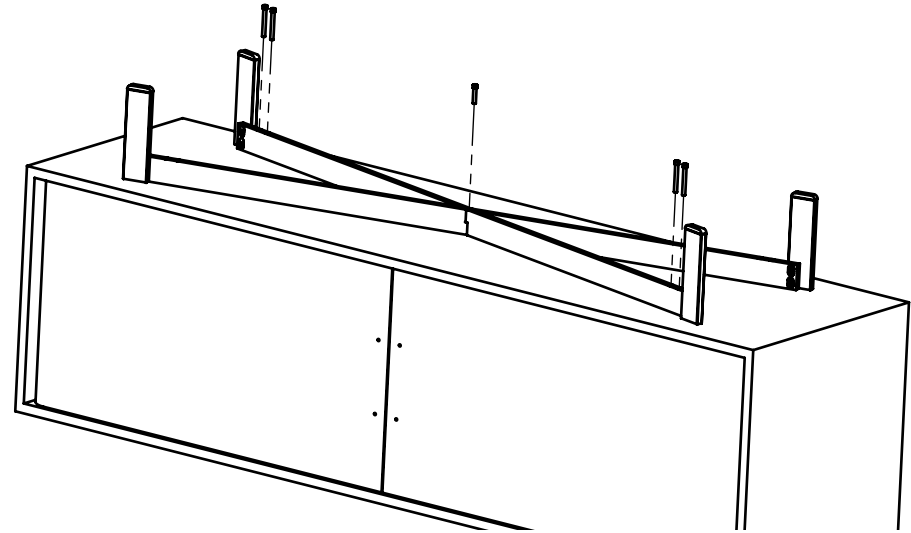
WWW.DWR.COM

3

PLACE LEG "B" ON THE CABINET AND CAREFULLY SLIDE THE CENTER INTO THE CUTOUT IN LEG "A".

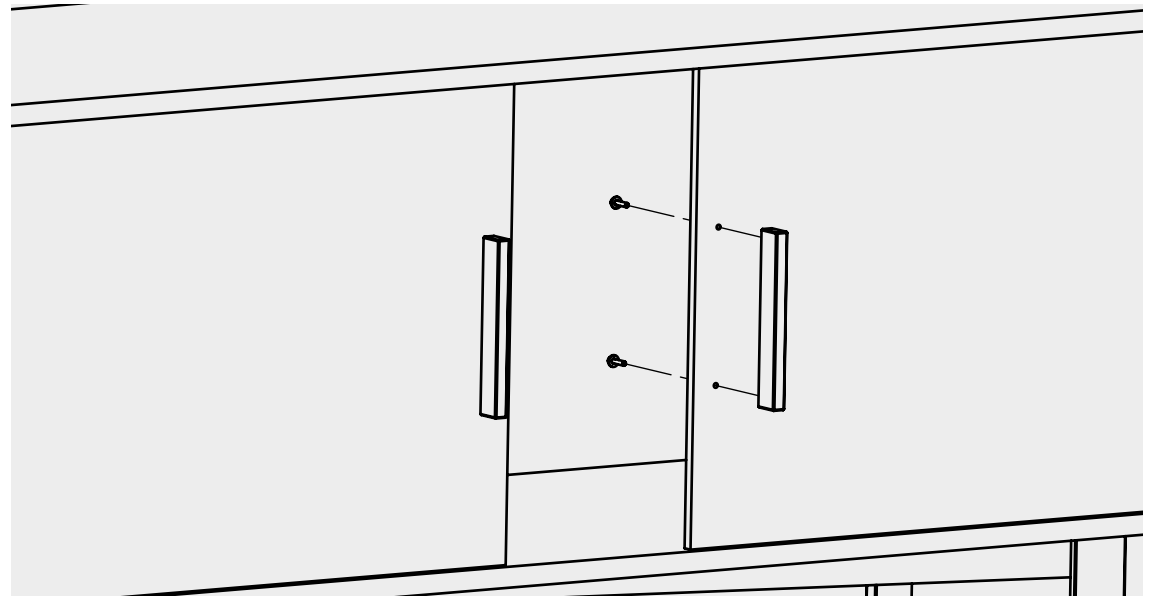
ATTACH TO THE CABINET WITH 4 OF THE LONG SCREWS SUPPLIED.

USE THE SHORT SCREW TO JOIN THE TWO CROSS PIECES AT THE CENTER.



4

USE TWO SMALLEST SCREWS TO ATTACH EACH OF THE HANDLES TO THE CABINET DOORS.



## ASSEMBLING THE GIULIA CREDENZA HARDWARE

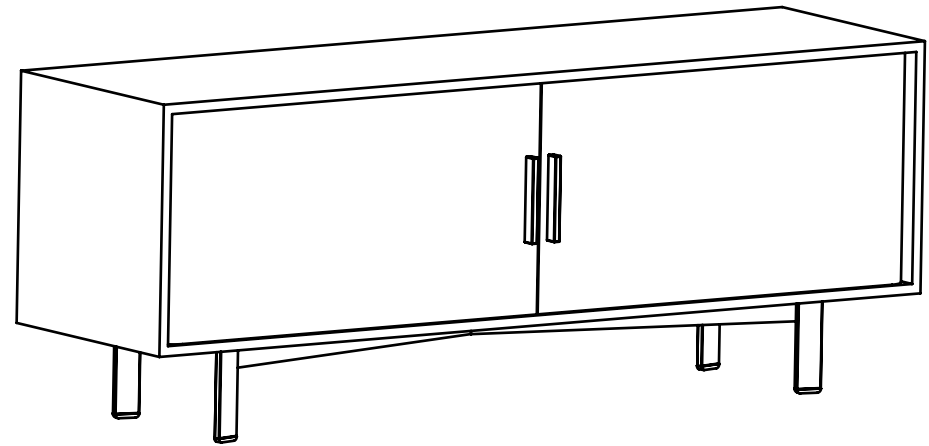
YOUR FURNITURE HAS BEEN CRAFTED WITH HIGH QUALITY FINISHES THROUGHOUT. BE VERY CAREFUL WHILE HANDLING THE PARTS DURING ASSEMBLY. THEY ARE HEAVY, AND CAN SCRATCH EACH OTHER OR HURT YOU. IT IS SUGGESTED THAT YOU WORK WITH ANOTHER PERSON TO AVOID DAMAGE OR INJURY.



[WWW.DWR.COM](http://WWW.DWR.COM)

5

CAREFULLY TURN RIGHT SIDE UP.



6

IF LEG NEEDS TO BE ADJUSTED,  
USE LARGE HEX WRENCH ON TWO  
SCREWS AT TOP OF LEG.

