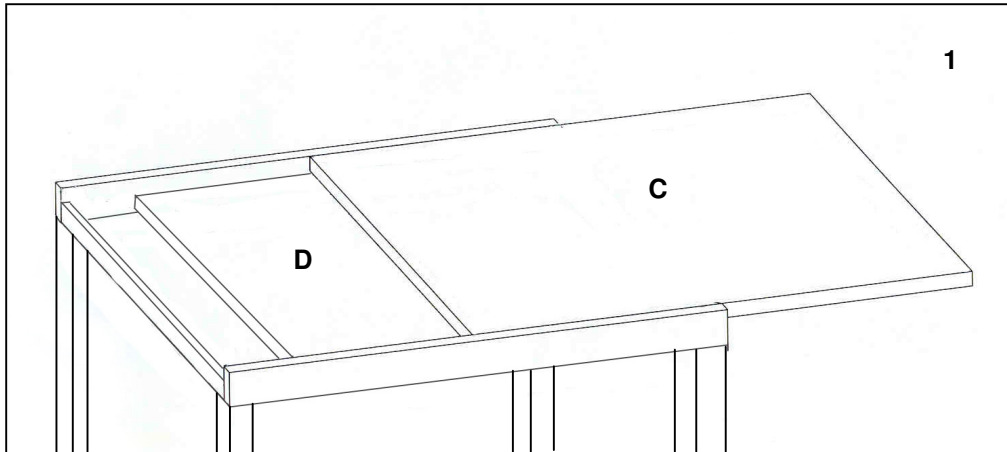
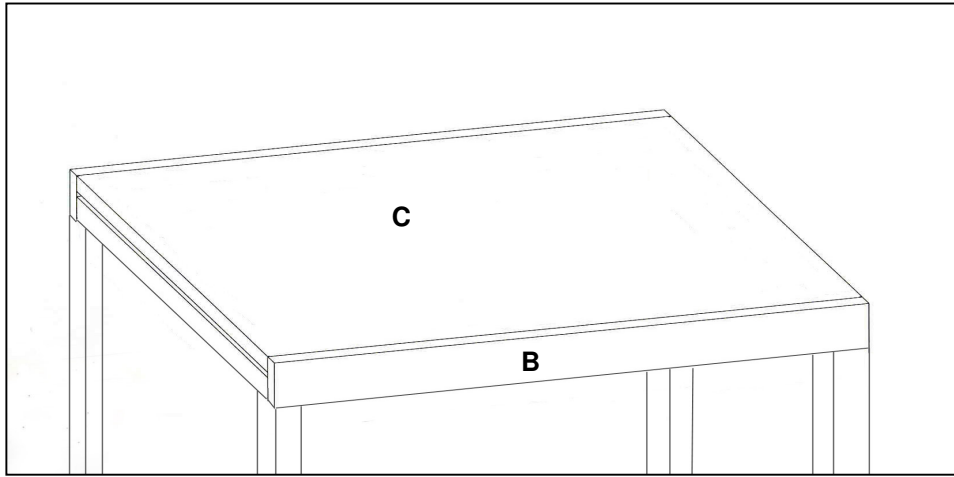
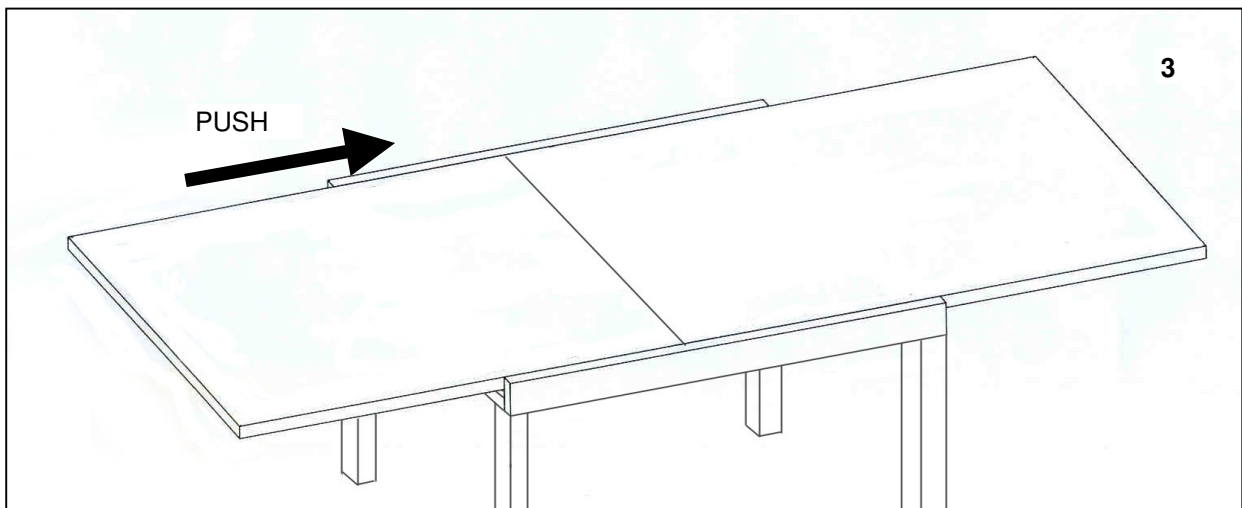
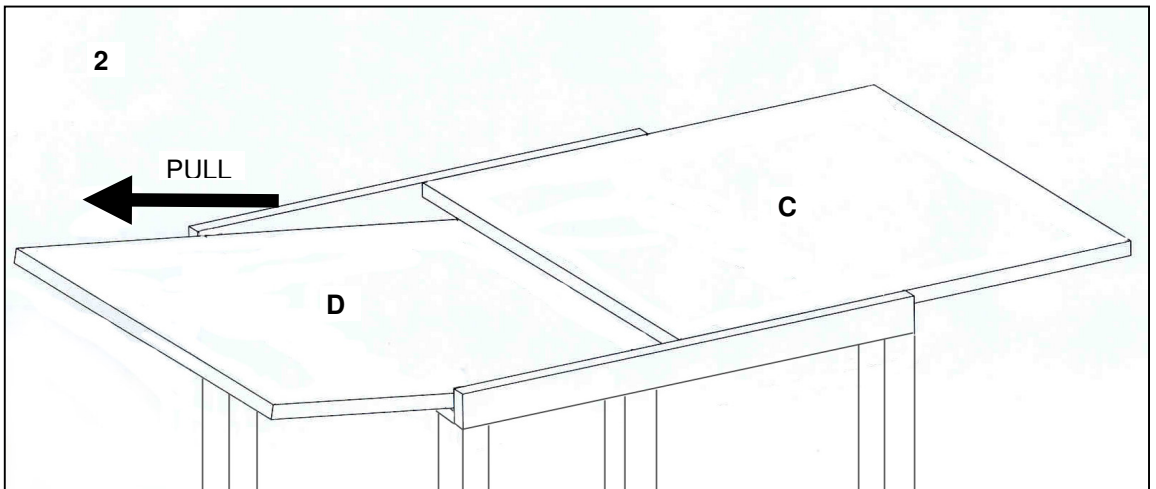


**Step 4.** Then assembled the legs Turn upside down the table and proceed as shown in step.5

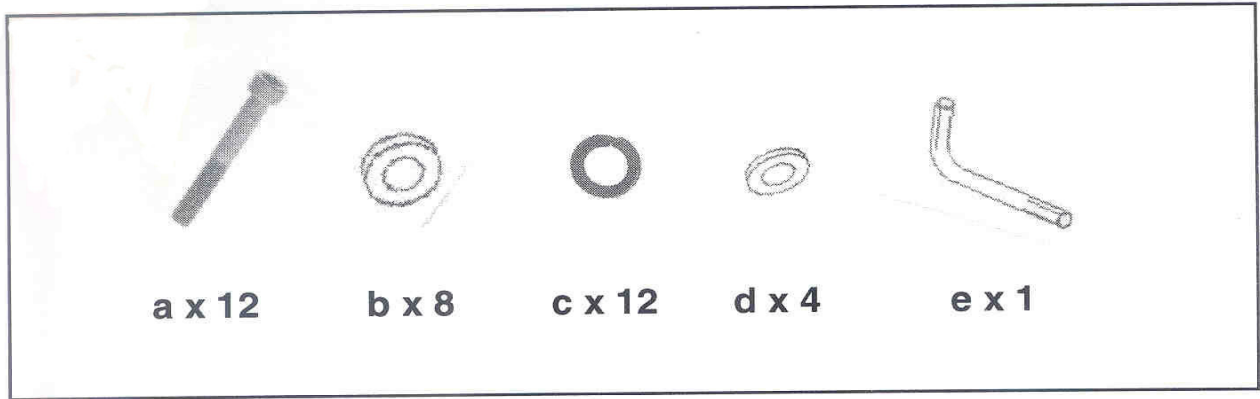


**Step. 5** Slide out the top C

Slide out the extension D by pulling it up and position top and extension on the same level as shown in picture 3



# HARDWARE/FERRAMENTA



**A = Leg (qty 4); B = Frame; C = top ; D = extension ;**

- Step 1.** Turn upside down the top of the table and lay it on a smooth surface
- Step 2.** Assemble the leg A with the Frame B as shown in the picture
- Step 3.** Do the same with all the 4 legs

**PLS NOTE:**  
**B,C,D** are already assembled

