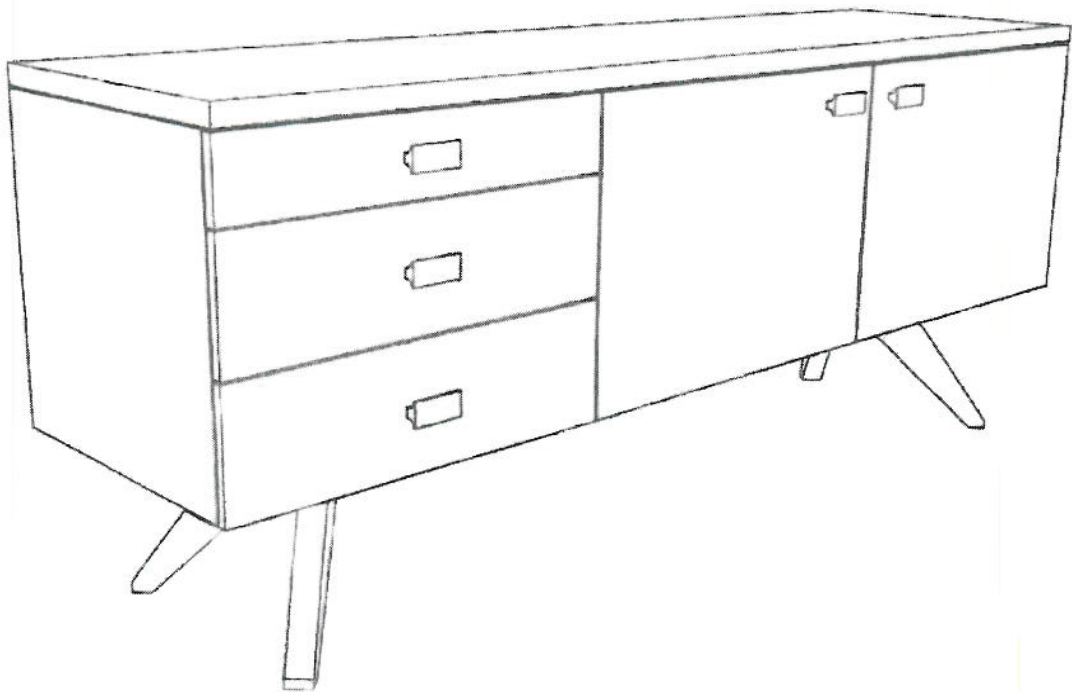
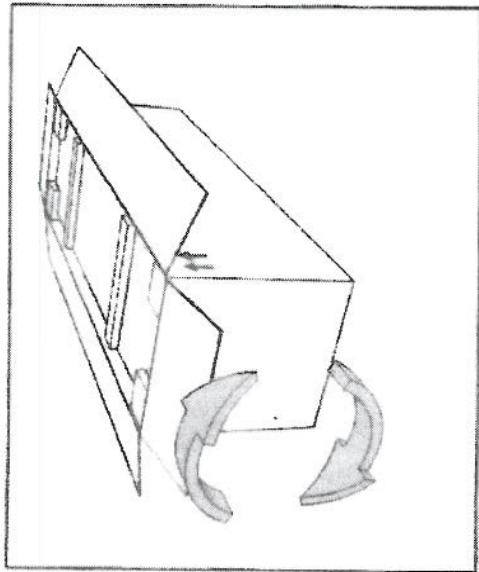


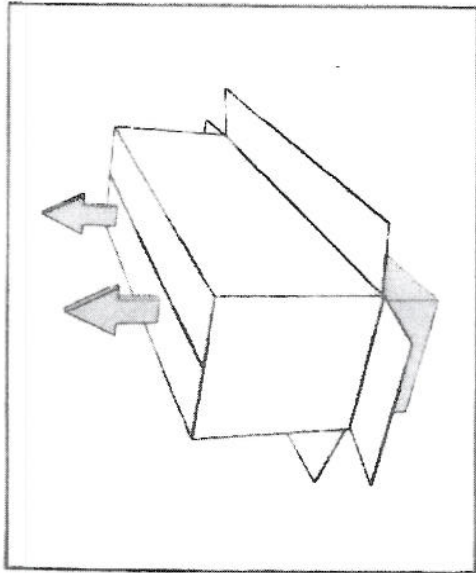
Cross Sideboard

by Matthew Hilton

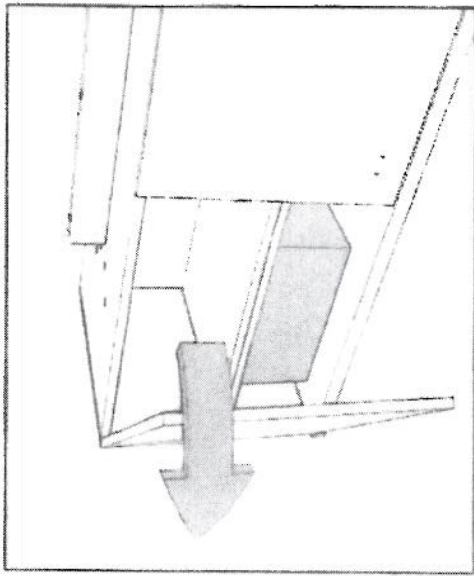




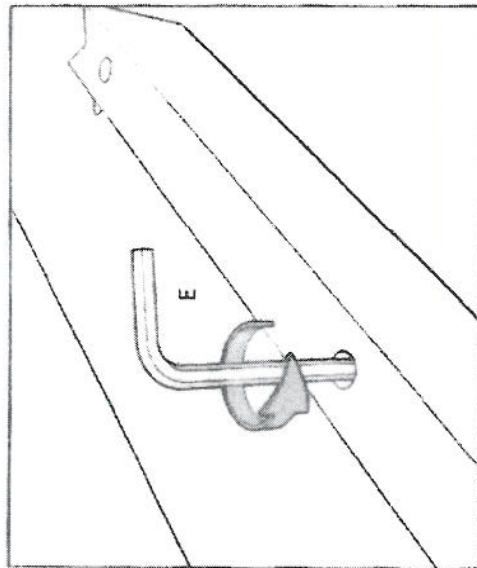
1. Turn upside down, ensuring flaps are fully open. Leave cardboard sheet in place to protect top during assembly.



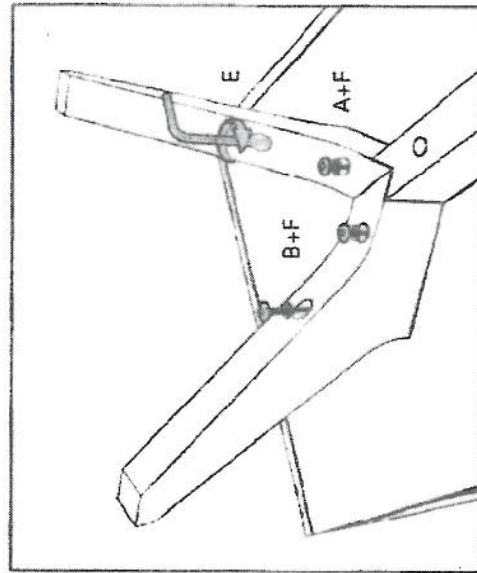
2. Remove packaging.



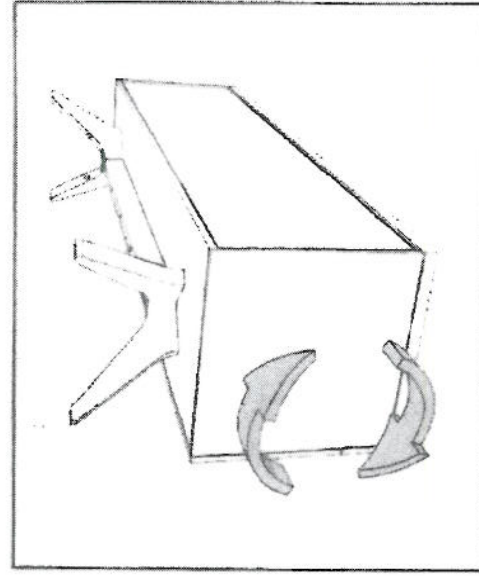
3. Open far door to find legs and fittings.



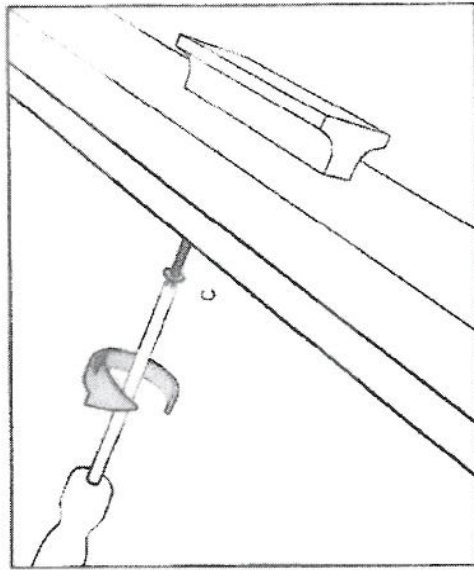
4. Loosen bolts in crossbar with Allen key (E) to allow movement when fitting legs to each end.



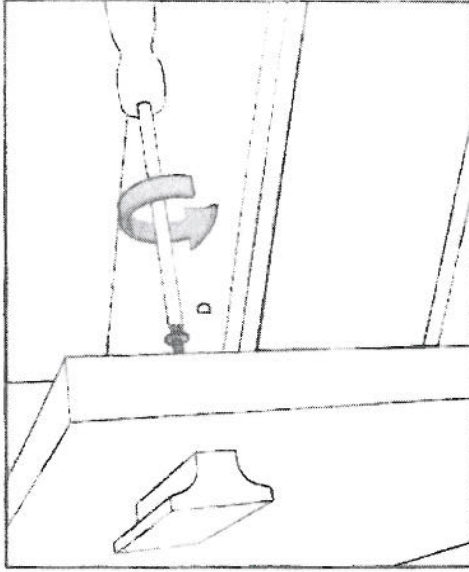
5. Align legs by inserting location pin into end of crossbar. Fasten with bolts (A, B) and washers (F). Ensure that all bolts, including those in crossbar, locate properly before fully tightening with Allen key (E).



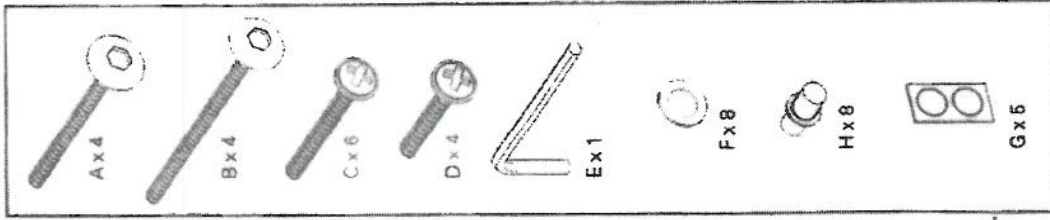
6. Once legs and crossbar are securely attached, turn unit onto feet.



7. Attach drawer handles using screw (C).
Fully tighten when straight.



8. Attach door handles using screw (D).
Fully tighten when straight.

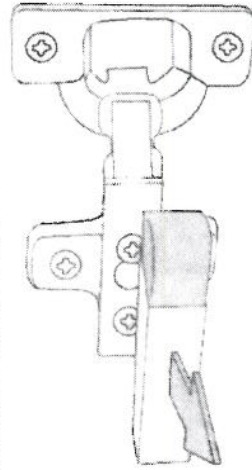


Adjustments

Height of the shelves can be adjusted by using support pins (H).

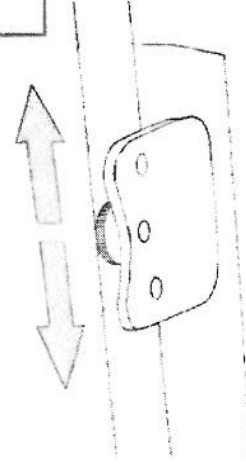
Remove shelf and re-position pins at desired height, then re-insert shelf allowing to rest on exposed supports.

If inner door/drawer bumpers (G) are required to silence closing, simply peel off and apply to inside face of door/drawer.

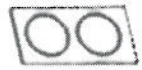


Fully adjustable door hinges help to maintain equal spacing and correct alignment of doors if required.

To access screws, remove damper mechanism.



Height of drawers can be adjusted by turning wheel mechanism found on each drawer slide.



PRODUCT CARE

Cross Sideboard – designed by Matthew Hilton

In order to understand the sideboard and get pleasure and longevity from the product we would like to give you some information: -

- The sideboard is manufactured from solid and veneer European Oak.
- European craftsmen manufacture this product and there is variety between each unit. Wood is a natural product and colour and grain variations are inevitable.
- The top, side, door and drawer faces are matched to ensure a consistent aesthetic throughout.
- Natural timber is affected by sunlight; this can cause the wood colour to darken. For this reason (especially if placed in direct sunlight) it is recommended that placing objects such as vases on the top for long periods in the same position is avoided. This colour adjustment becomes less relevant with the passing of time.
- It is recommended that no abrasive cleaners or solvents are used to clean the unit, please only use proprietary furniture polishes or warm water with diluted detergent.

We thank you for purchasing the product and wish you many years of enjoyable and functional use.