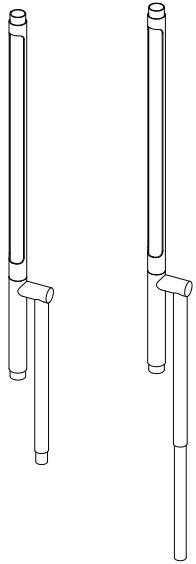


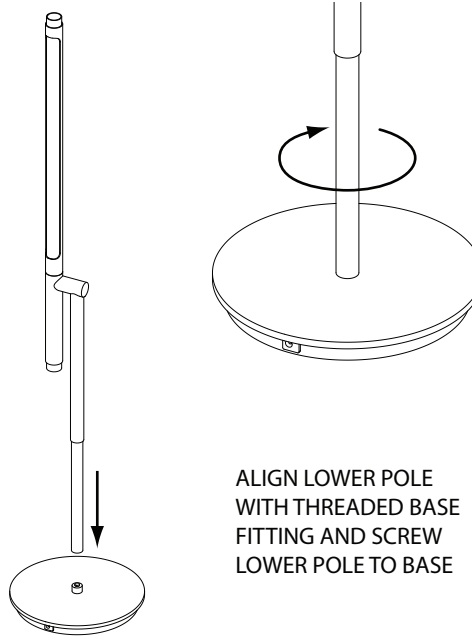
BRAZO TABLE

1.



EXTEND LOWER
TELESCOPING POLE

2.



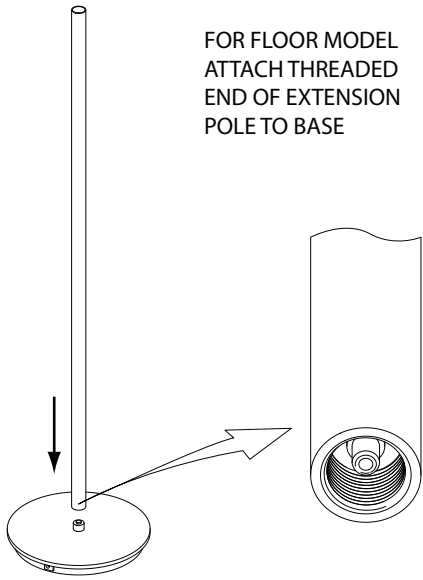
ALIGN LOWER POLE
WITH THREADED BASE
FITTING AND SCREW
LOWER POLE TO BASE

BRAZO™

ASSEMBLY INSTRUCTIONS

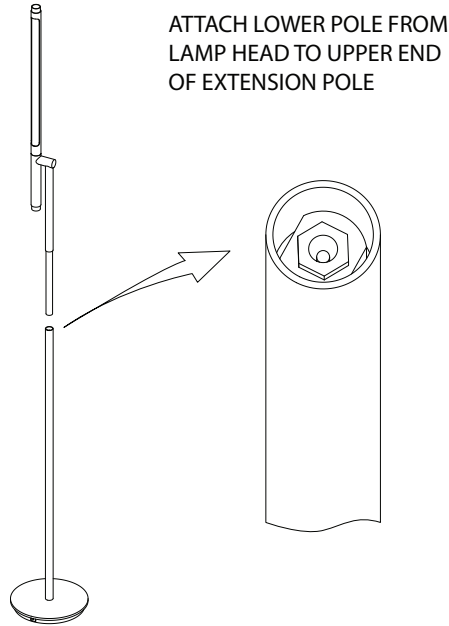
BRAZO FLOOR

1.



FOR FLOOR MODEL
ATTACH THREADED
END OF EXTENSION
POLE TO BASE

2.



ATTACH LOWER POLE FROM
LAMP HEAD TO UPPER END
OF EXTENSION POLE

