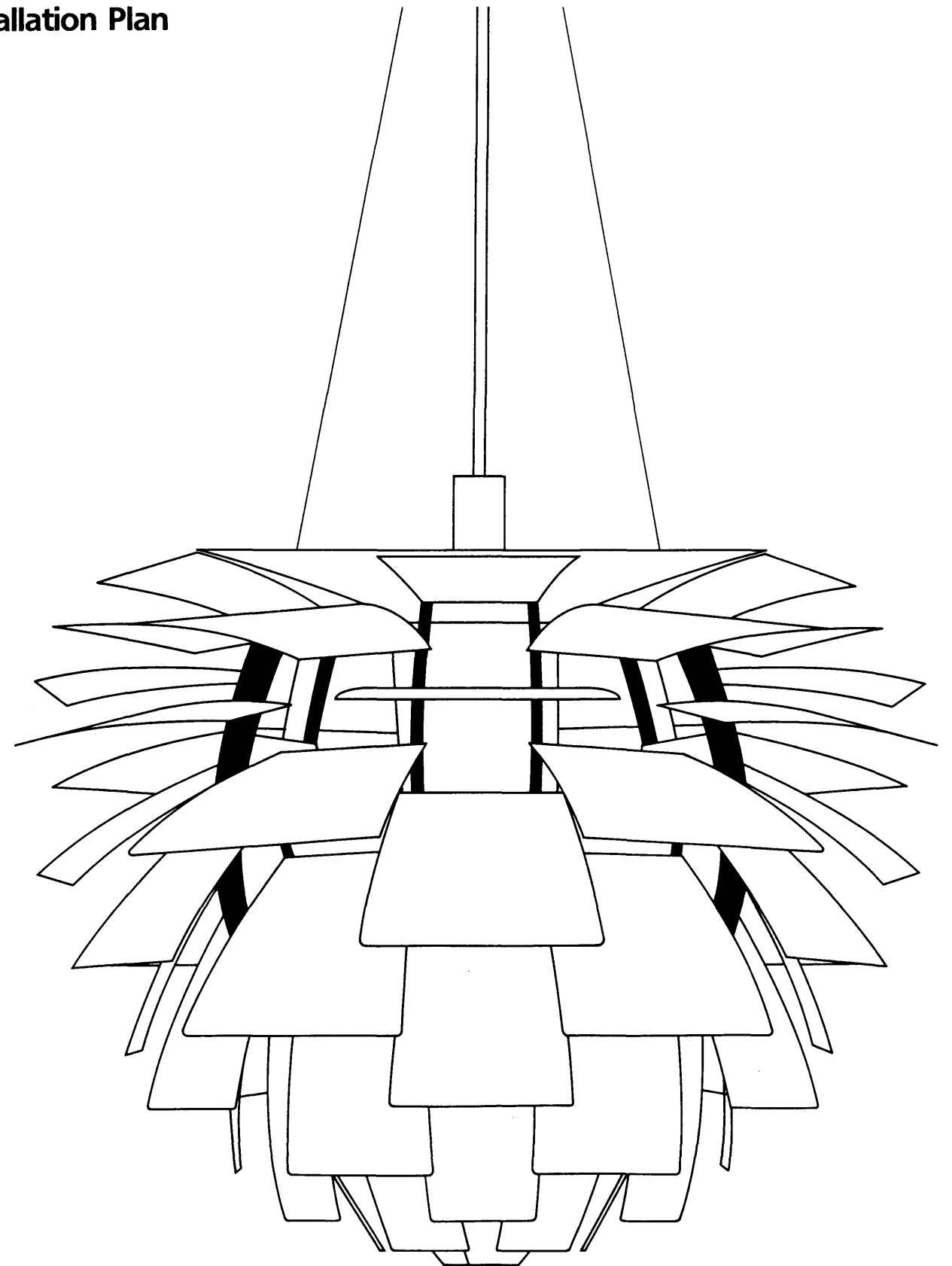
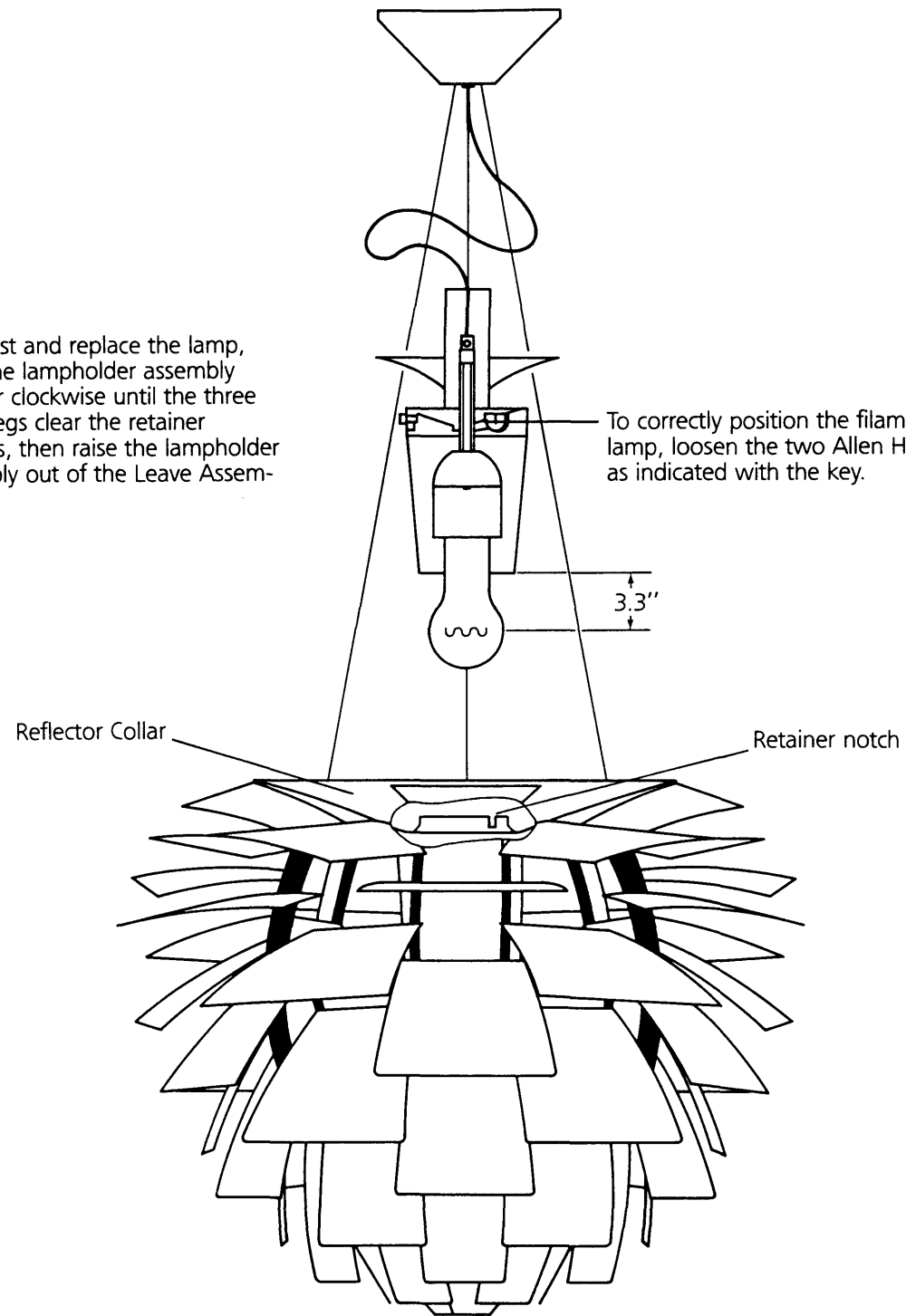
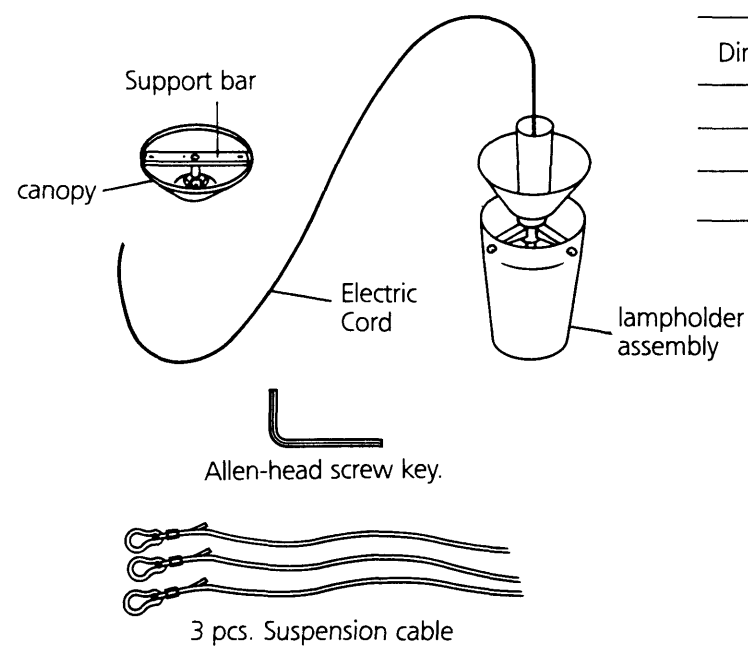


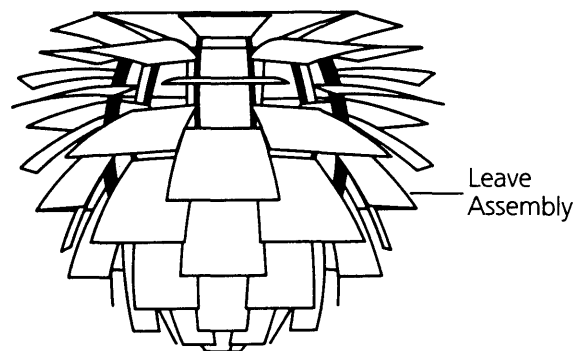
To adjust and replace the lamp, twist the lampholder assembly counter clockwise until the three shear legs clear the retainer notches, then raise the lampholder assembly out of the Leave Assembly.

To correctly position the filament of the lamp, loosen the two Allen Head Screws as indicated with the key.

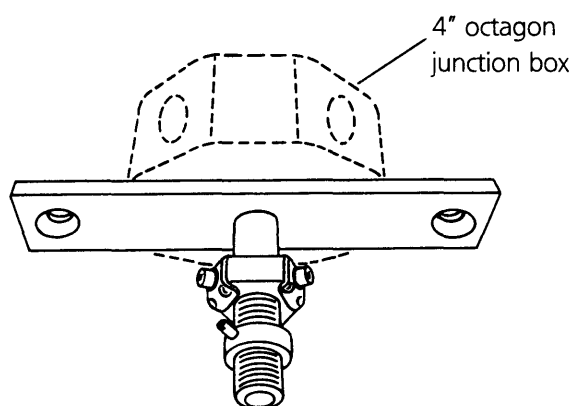




Dimensions	Lamp Holder (US-type)	Max. Wattage	Weight (pounds) White/copper
23.6"	Mogul	500 W	30/33 LBS
28.3"	Mogul	500 W	39/44 LBS
33.0"	Mogul	500 W	49/55 LBS

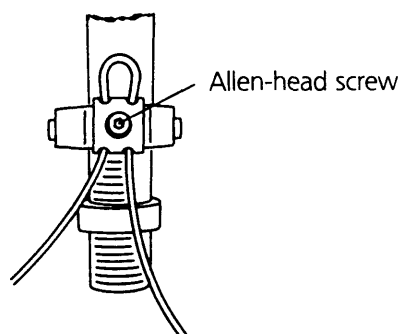


Assembly and fitting of suspension cables and electric cord

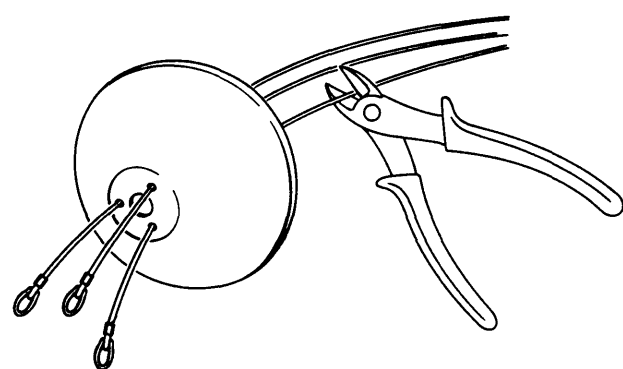


Install support bar over junction box on ceiling with winged-type Molly-fasteners (not provided).

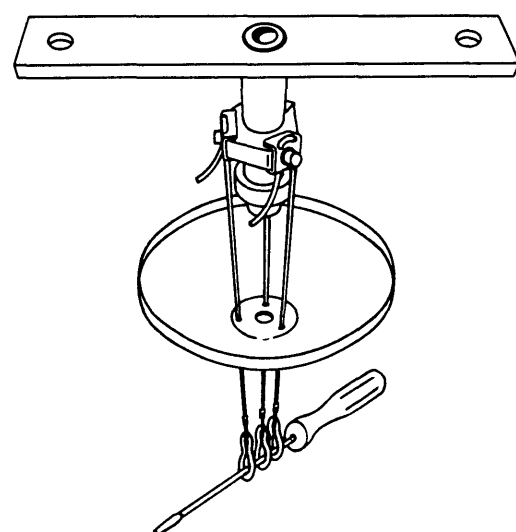
Special note: the installer must take special precautions to determine, that the ceiling the Artichoke is being attached to is structurally safe to support the indicated weight load, and can be used safely with recommended mounting hardware and details for installation.



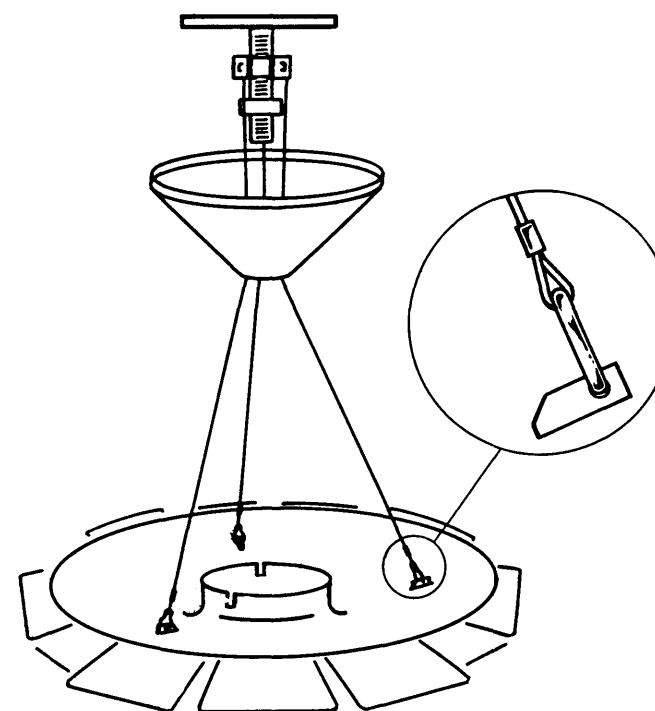
Attach and secure suspension wires to brackets on suspension unit by tightening the Allen-head screws.



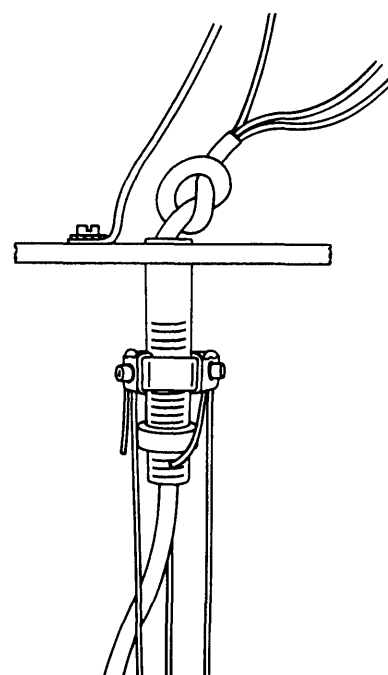
Thread suspension cables (3) through canopy and cut to required length.



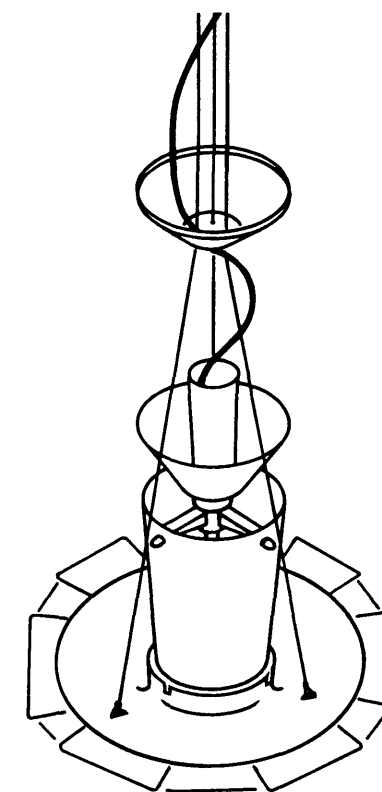
Adjust suspension wires until they are of equal length.



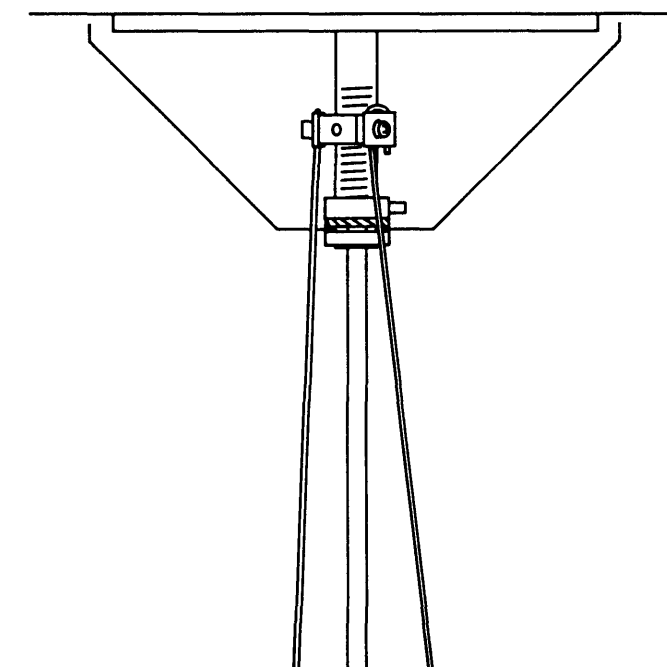
Suspend the Artichoke Leave Assembly by attaching three safety clasp hooks to the holes provided in the strut ends projecting through the upper reflector collar, and to the end of the suspension cables (3).



Tie knot in electric cord to secure. Then connect ground wire (green) to ground lead located on support bar and ground lead in cord. Connect live (black) and neutral (white) wires to electrical supply.



Fit lamp unit to crown fixture by locating the 3 bosses on the unit in 3 slots on crown fixture. Then thread electric cable in this sequence: through (1) bevelled nut, (2) canopy, (3) star washer and finally, through tube attached to support bar.



Tighten suspension wire brackets, slide canopy into place and secure by means of bevelled nut. Please note: Tighten bevelled nut securely, to ensure good ground connection. To ensure flush fit and avoid damage to ceiling adjust canopy height, using bevelled nut until canopy's edge is parallel with top edge of support bar.