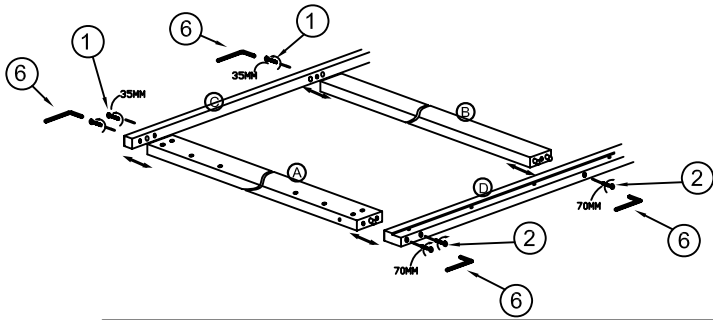
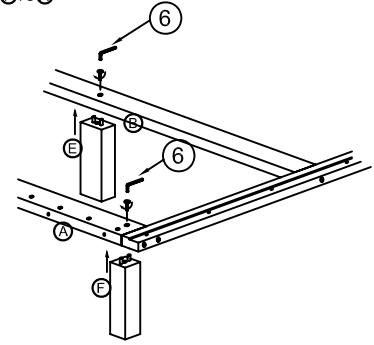


**zola Collection**  
- BED -

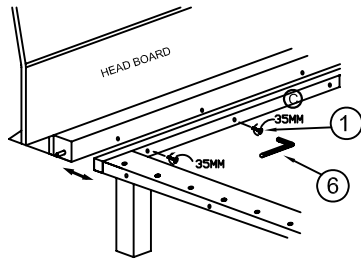
① HOOK **A** AND **B** ONTO **C** AND **D** TOGETHER AS SHOWN, THEN TIGHTEN THE WHOLE FRAME WORK TOGETHER WITH THE HELP OF THE SUPPLY ALLEN KEY AND THE BOLTS, (LENGTH -AS STATED ).



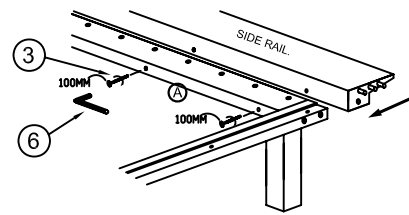
② ATTACH **E** TO **B**  
ATTACH **E** TO **A**



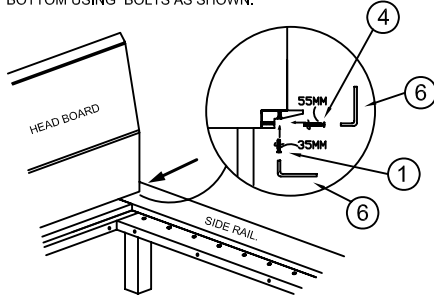
③ ATTACH **C** TO HEAD BOARD .



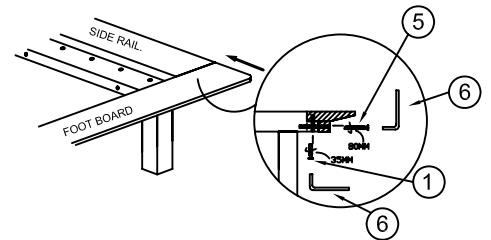
④ ATTACH **A** TO SIDE RAIL .



⑤ TIGHTEN SIDE RAIL TO HEAD BOARD  
BOTTOM USING BOLTS AS SHOWN.

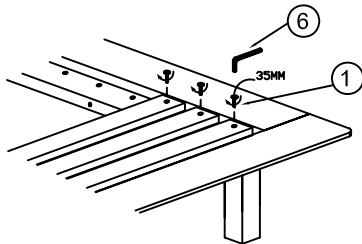


⑥ HOOK THE FOOT BOARD ONTO THE SIDE RAIL  
USING BOLTS AND TIGHTEN WITH ALLEN KEY.

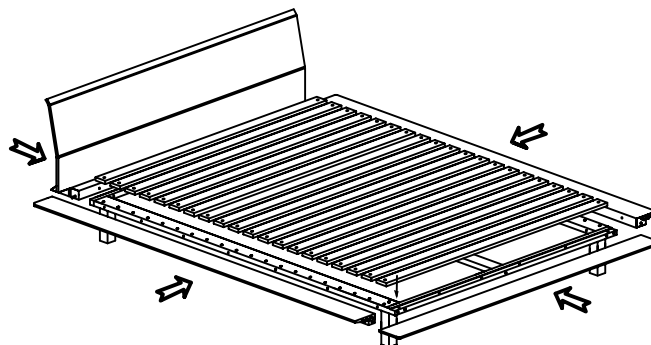
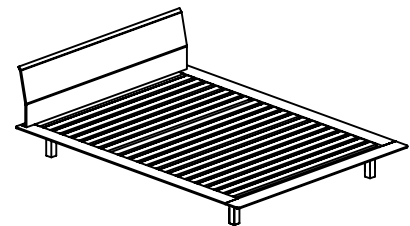


⑦ BOLT THE BED SLATS IN PLACE TIGHTLY

NOTE :  
THE TOP SIDE OF EACH SLAT IS COUNTERSUNK TO  
ACCOMMODATE THE BOLT HEADS.



⑧ COMPLETE.



①	②	③	④	⑤	⑥
X61	X5	X14	X2	X2	X2
BOLT M6 35MM	BOLT M6 70MM	BOLT M6 100MM	BOLT M6 55MM	BOLT M6 80MM	ALLEN KEY M4