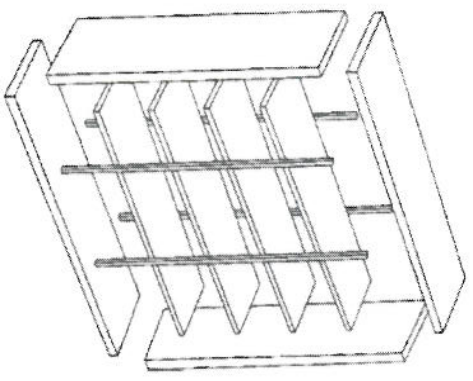
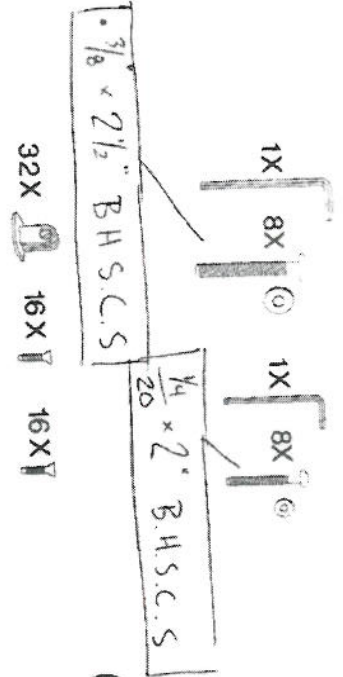
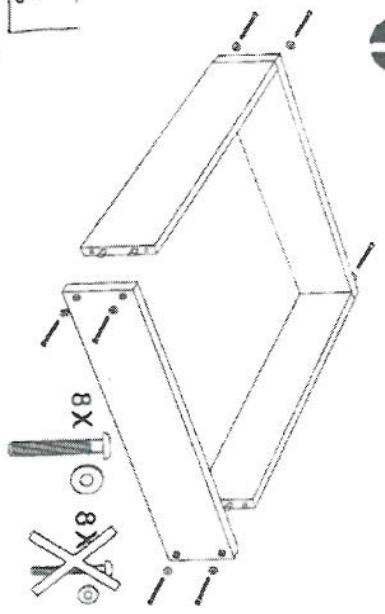


# PARTS

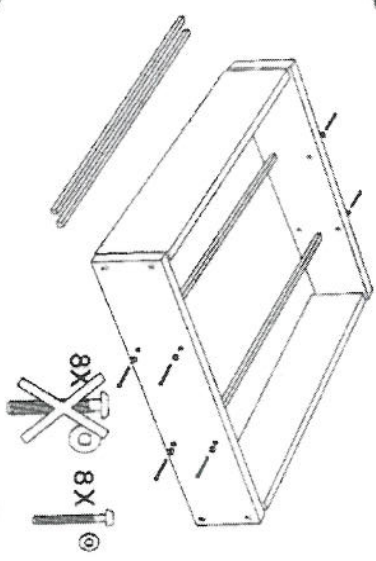
ASSEMBLE PRODUCT FULLY,  
BEFORE TIGHTENING BOLTS.



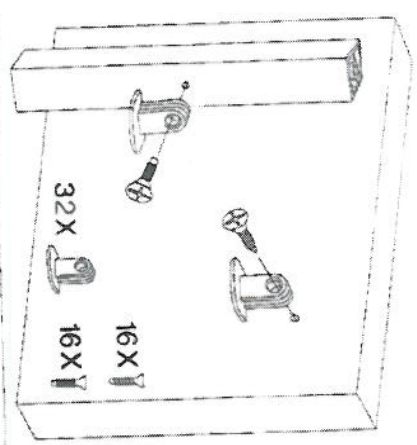
1



2

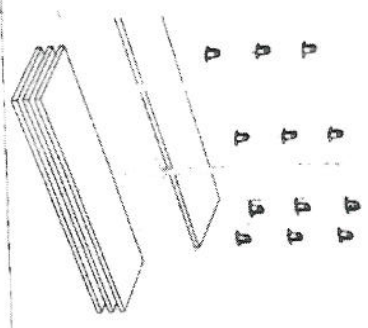


4

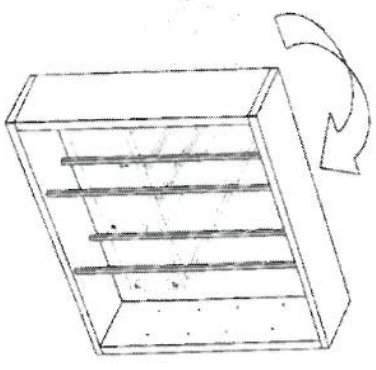


5

6



3



INDEX 3