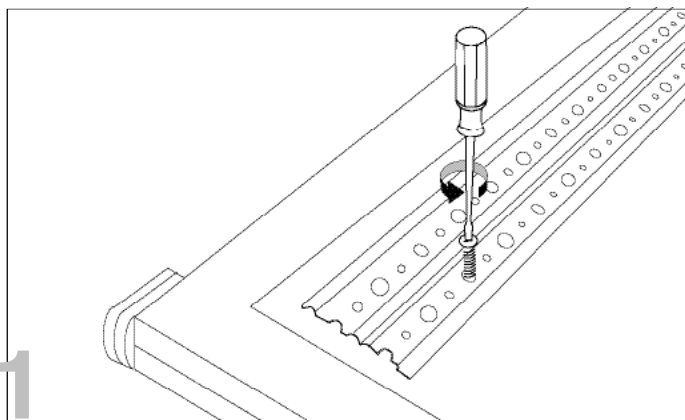


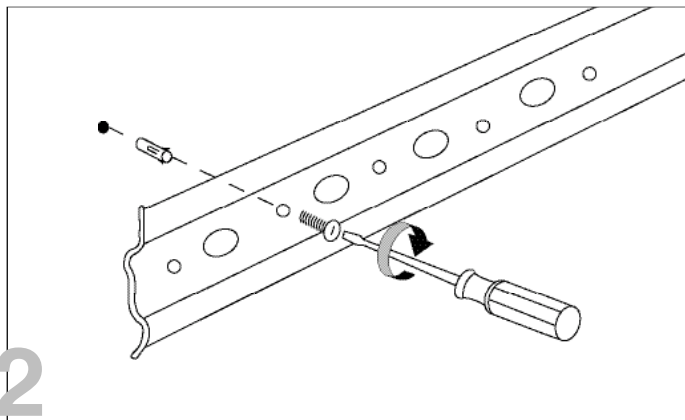
BELLAVISTA

Design: M. Marelli - M. Molteni



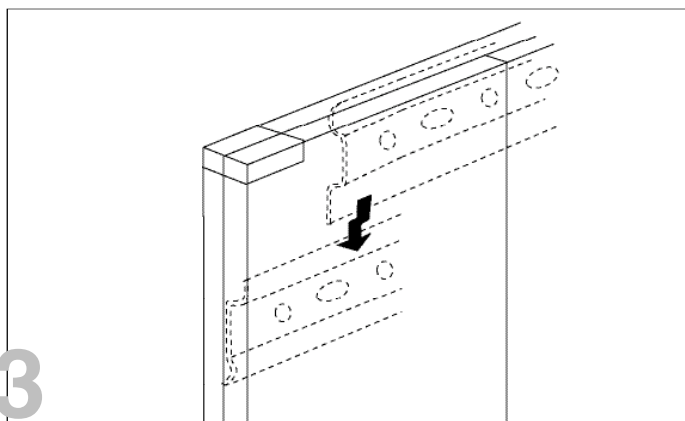
Rimoviere la placchetta fissata per il trasporto.

Unscrew the lower racket from the back of the mirror. The lower bracket is the one furthest from the edge of the mirror.



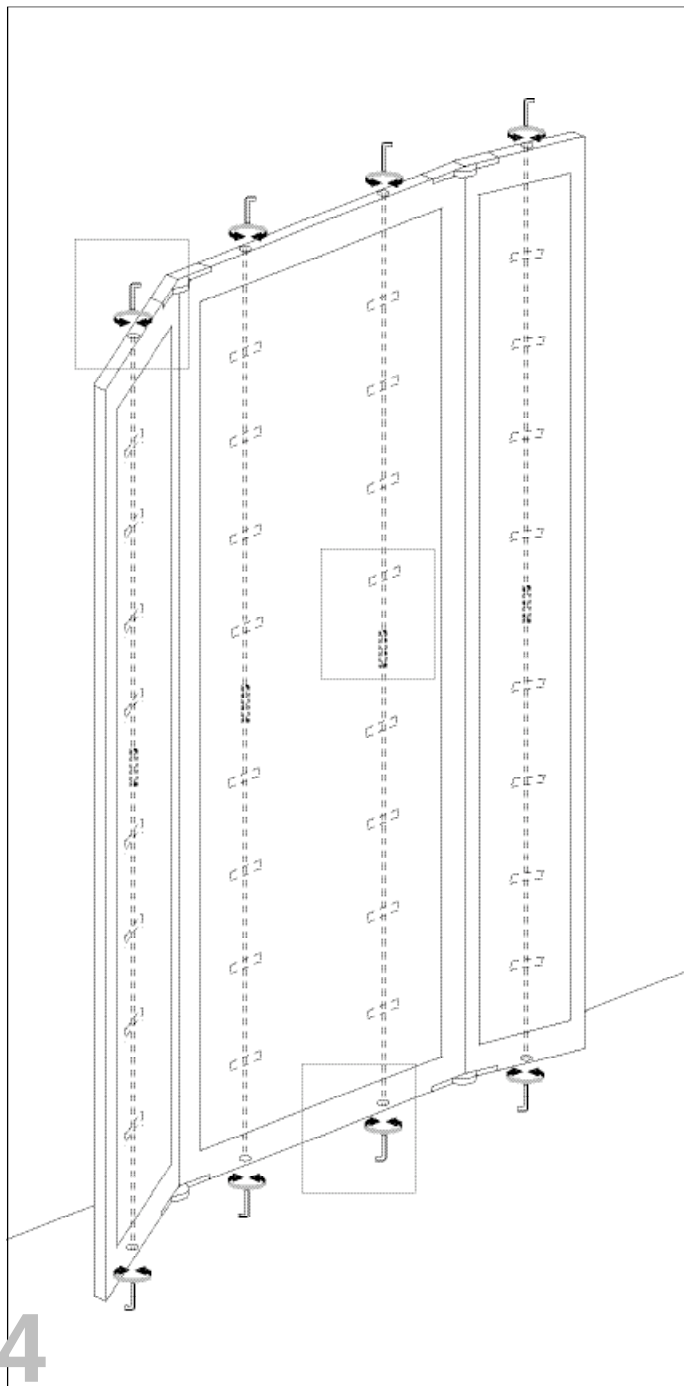
Fissare la placchetta rimossa al muro

After determining where you wish to fix the mirror, get a level measurement and attach the metal bracket to the wall. It is required that the bracket is must be attached to at least one stud, preferably two through the dowels we supply making sure that they are suitable for the type of wall.



Appendere lo specchio assicurandosi di incastrare le due placchette.

Hang the mirror making sure of fixing the two metal brackets. The one fixed to the wall has to meet the one fixed on the back of the mirror

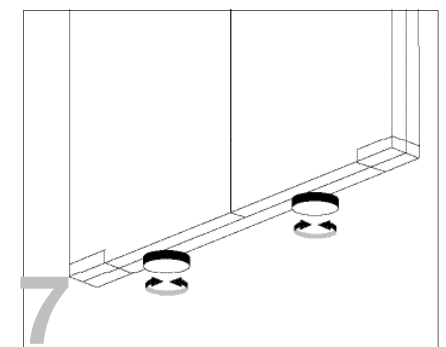
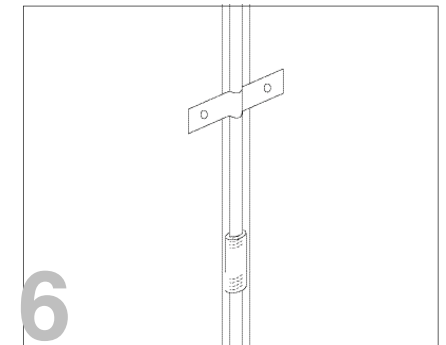
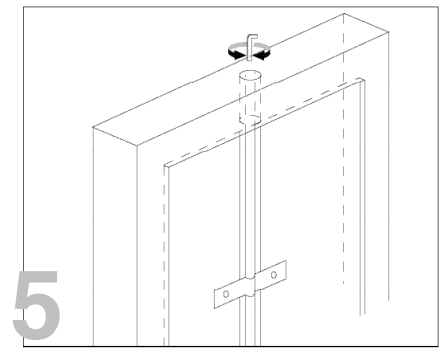


Regolare la tensione degli appositi canali-guida per corregger eventuali imbarcamenti del legno dovuti al tempo e per eventuali muri storti.

Regulate the door and wall panels for eventual twisted wall.

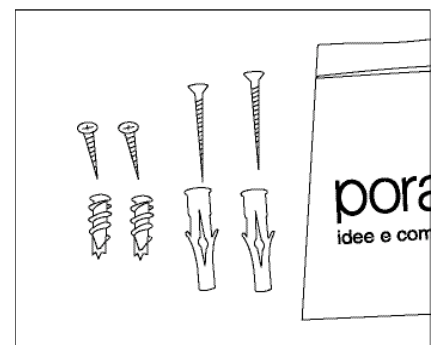
porada
idee e complementi

22060 Cabiato (Como) - Italia - Località Porada - Via P. Buoizzi, 2
Tel. +39 031 766215 - Fax. +39 031 768386 - 031766527
www.porada.it - info@porada.it



Piedini regolabili in altezza

Adjustable feet



Parts listing for the BELLAVISTA mirror: 2 screws + 2 dowels for concrete walls 2 screws + 2 dowels This type of dowel needs to be fixed directly into the wall without pre-drilling. Wall brackets enough to reach two studs.