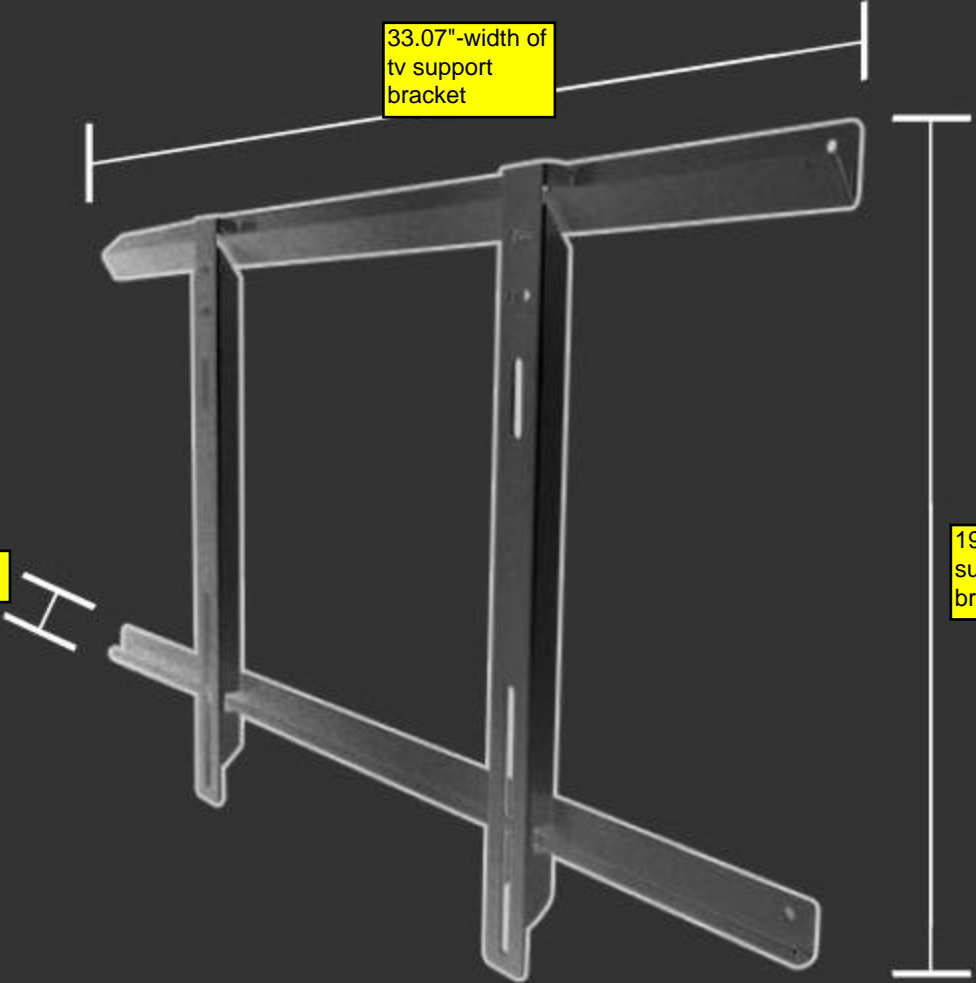


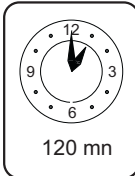
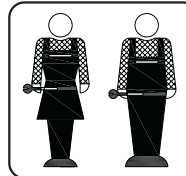
33.07"-width of
tv support
bracket

1"

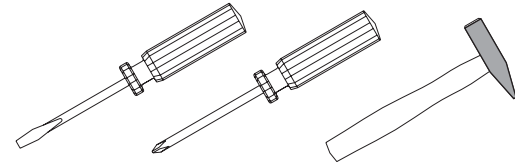
19"-height of
support
bracket



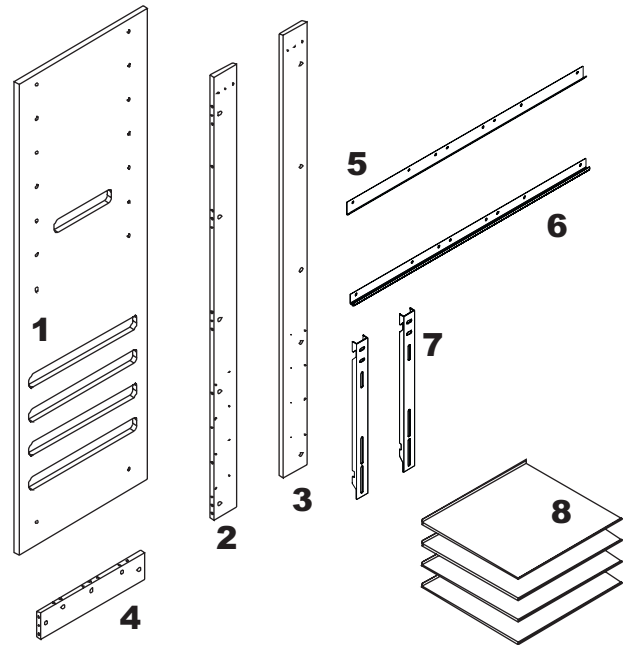
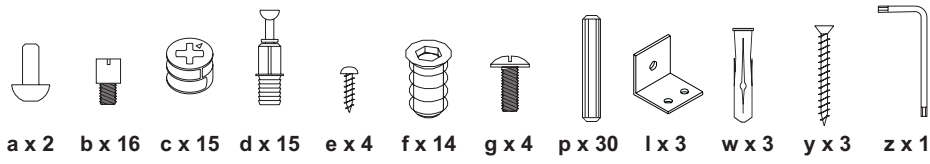
WALL "G" Media Stand



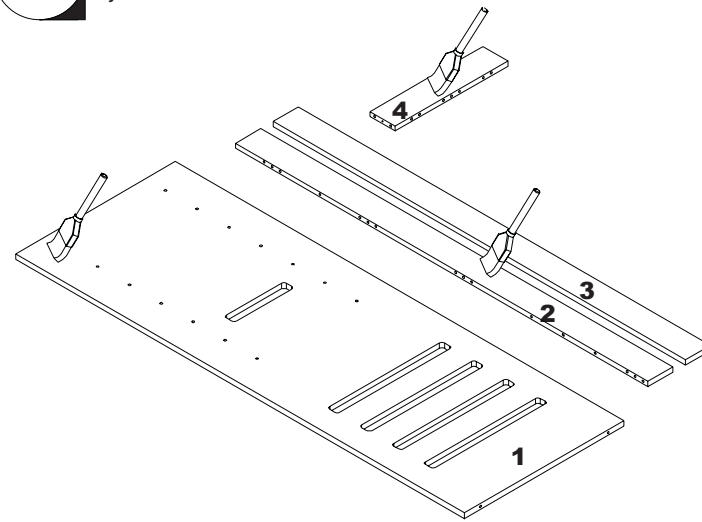
Tools not included



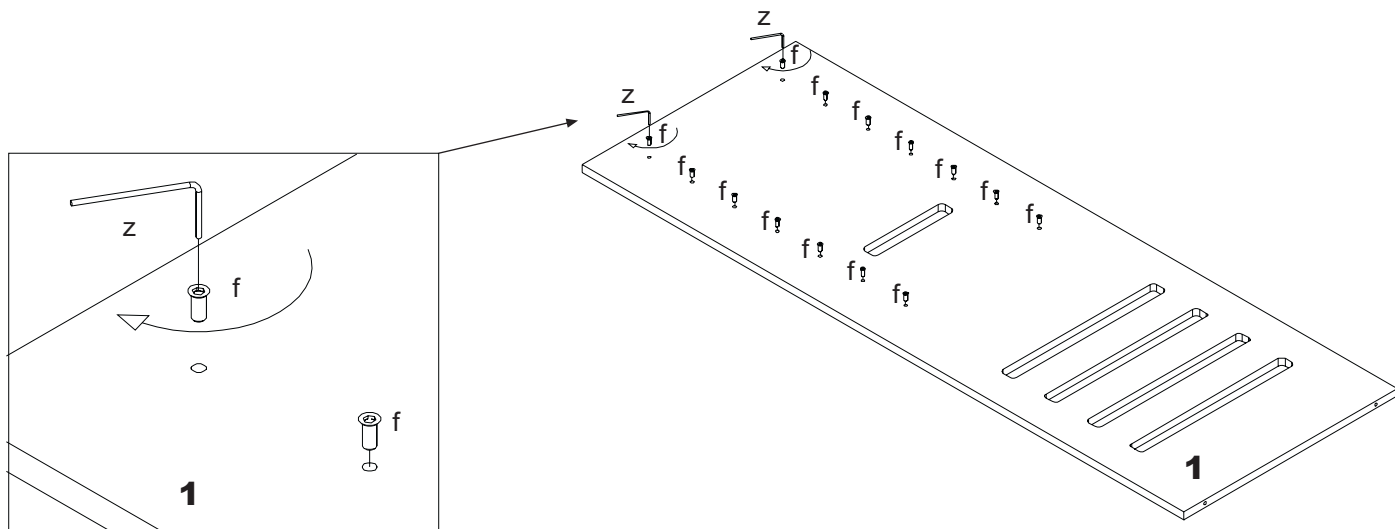
	mm	inches
1	1800 x 640	70 7/8 x 25 2/8
2	1654 x 100	65 1/8 x 03 7/8
3	1654 x 100	65 1/8 x 03 7/8
4	456 x 100	18 x 03 7/8



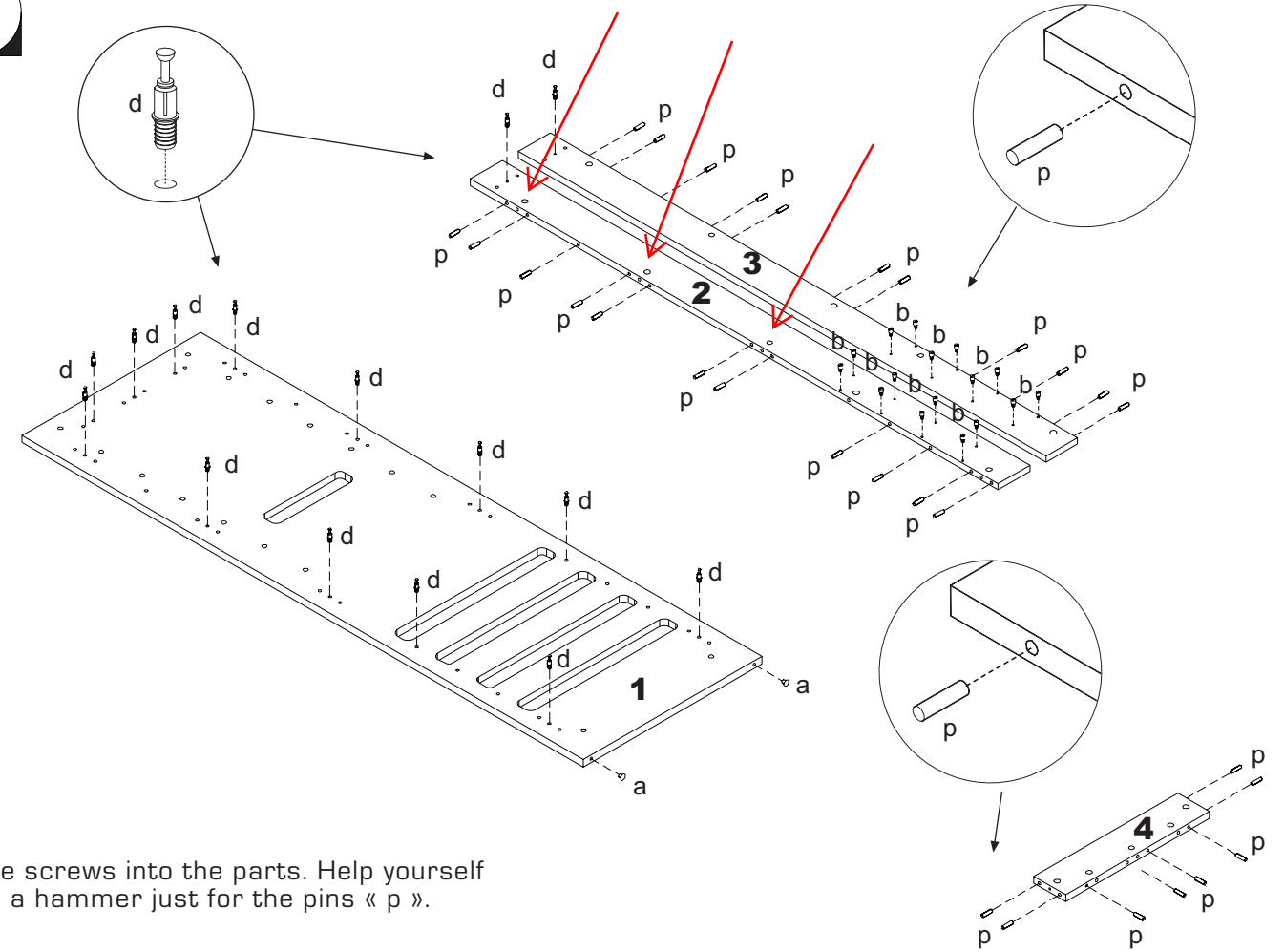
0 Paint the parts in mdf using your favourite colour



1 Tighten the screw « f » to the frontal board 1



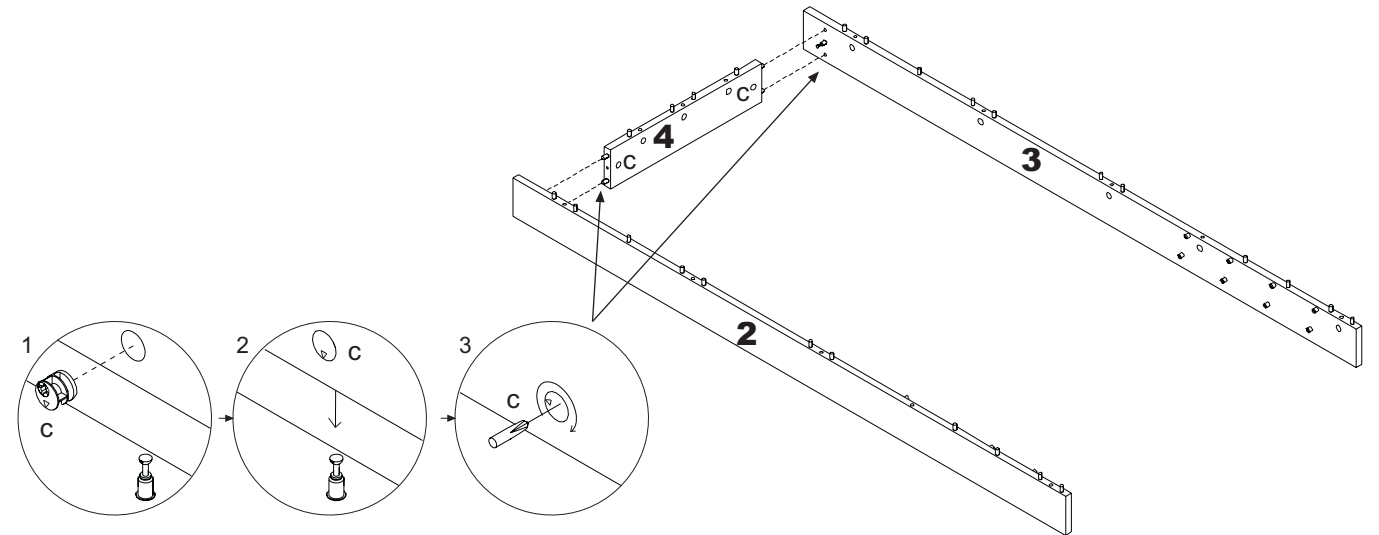
2



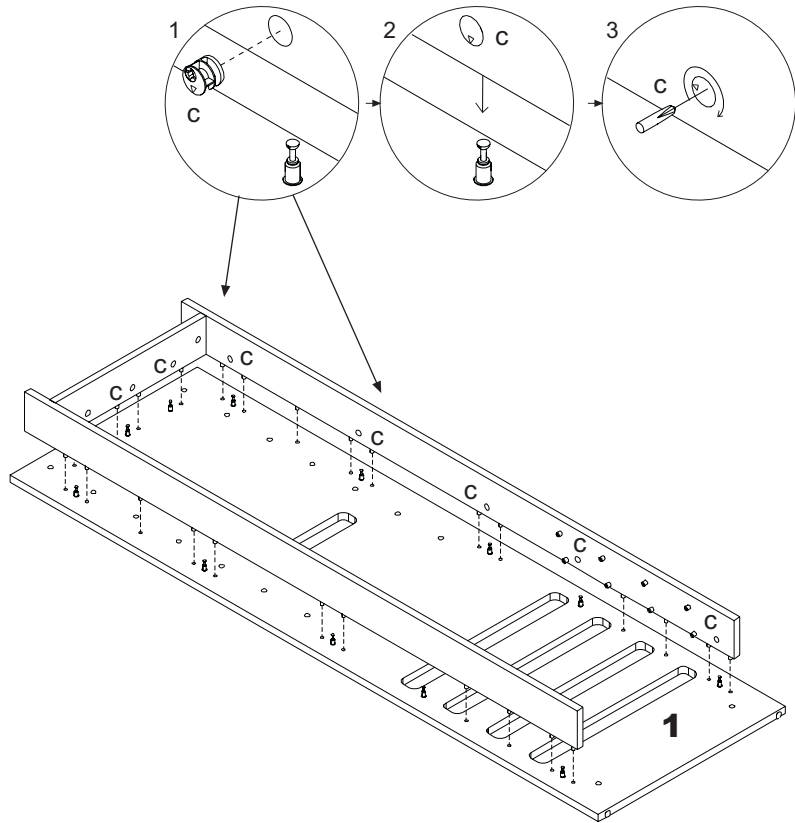
Fit the screws into the parts. Help yourself using a hammer just for the pins « p ».

3

Put together the lateral columns 2 and 3 to the bar 4



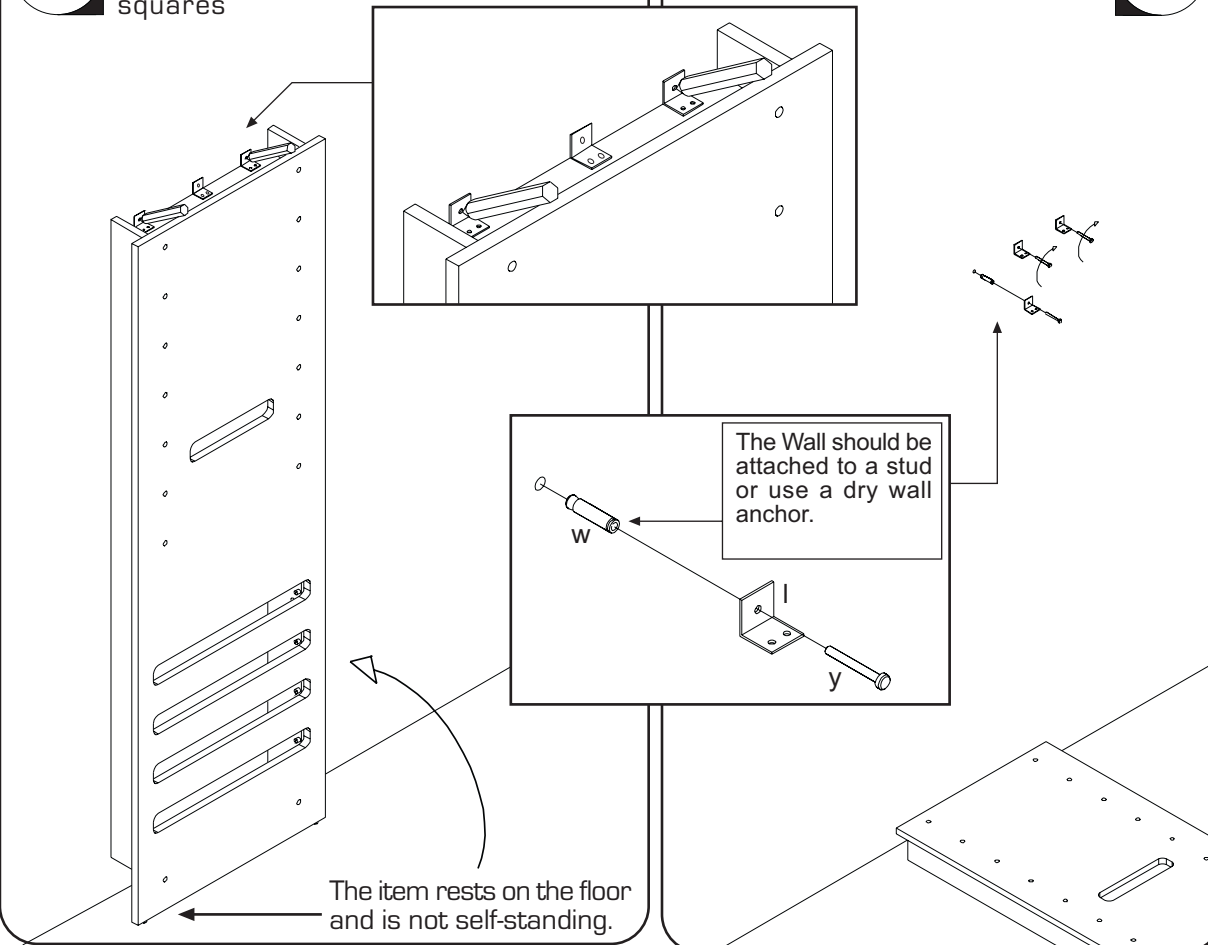
4 Fix the structure you prepared to the panel 1



5 Locate the item to the wall and mark the point where piercing to screw the squares

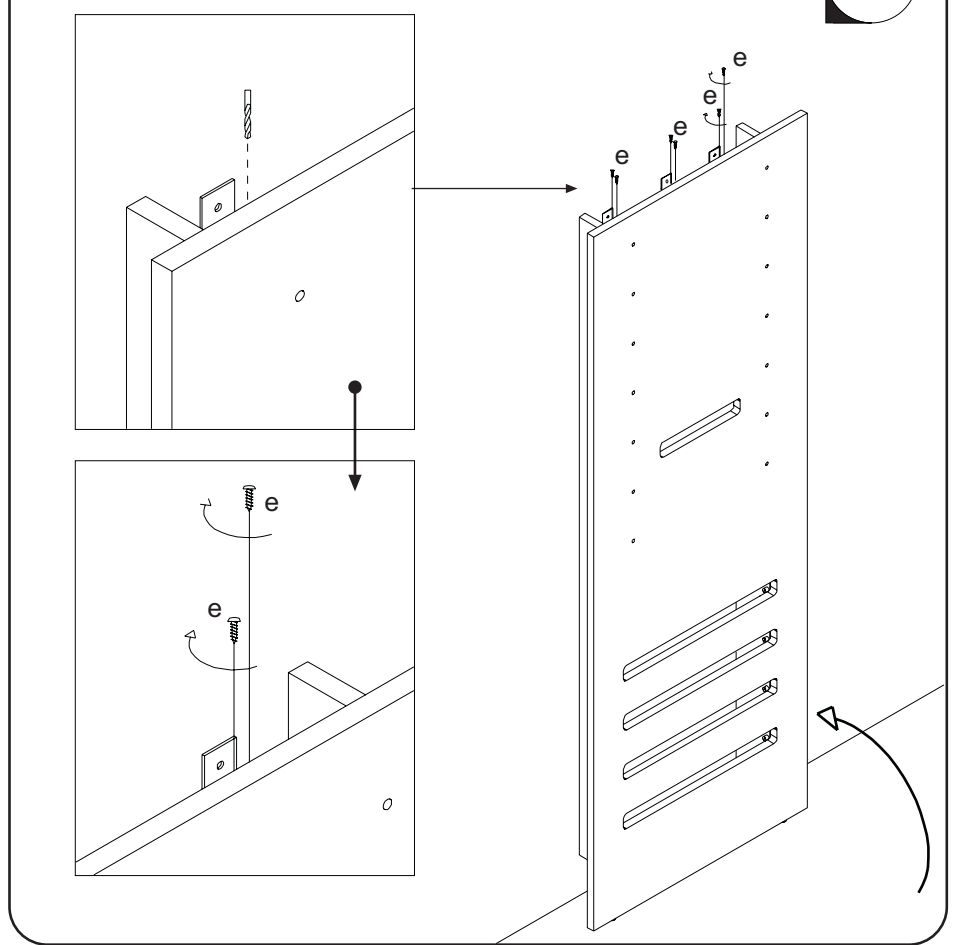
Screw the metal squares onto the wall

6

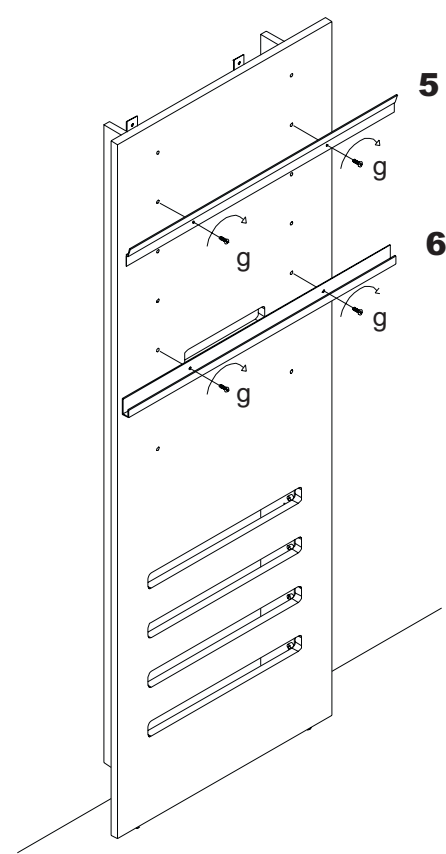


Hang the item on the wall fixing it to the squares

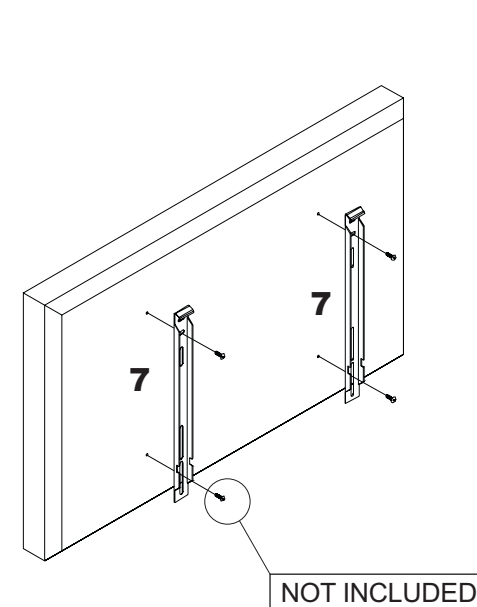
7



8 Screw the bar 5 over and 6 under

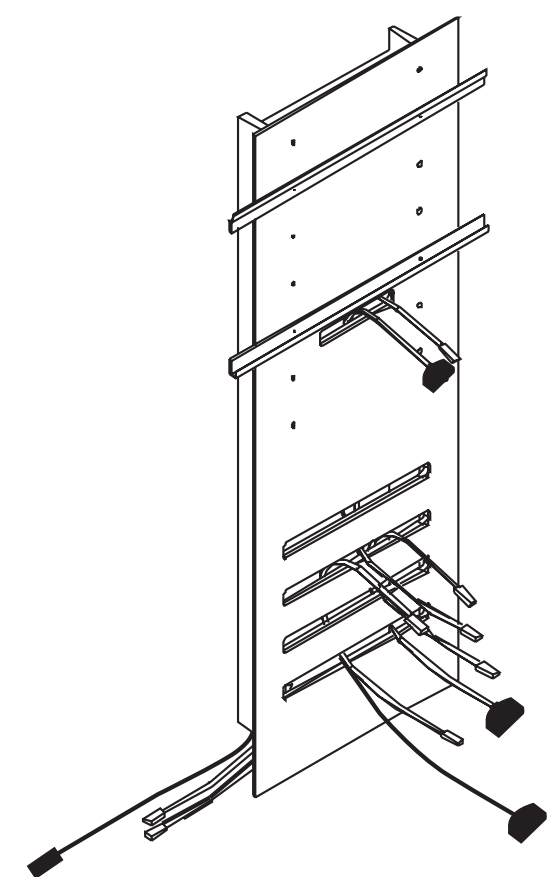


9

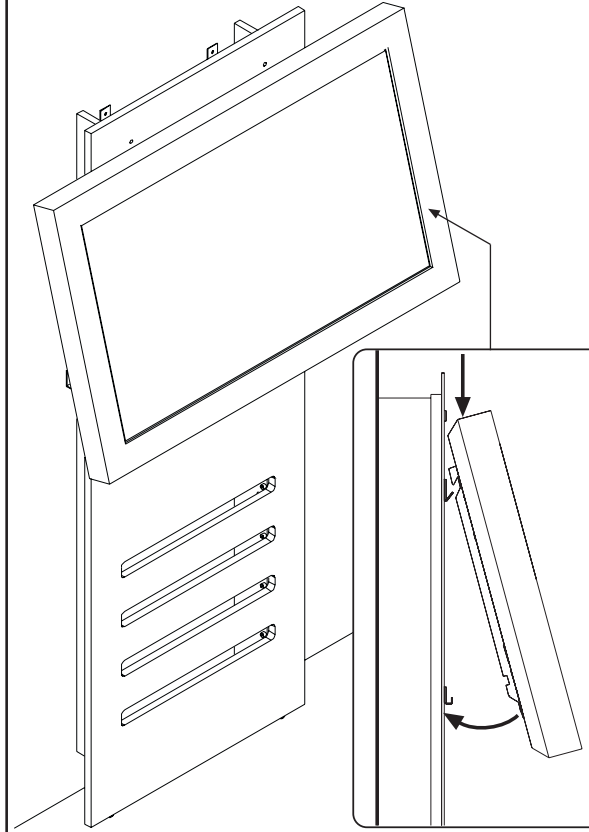


Screw the brackets 7 onto the TV using some screws suitable for your TV

10 Let the cables pass through the proper spaces. Pass through the cables before inserting the shelves



11 Locate your TV on the structure taking care that the brackets plugged in the TV are fitted into the bars



12

