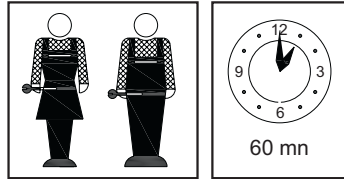
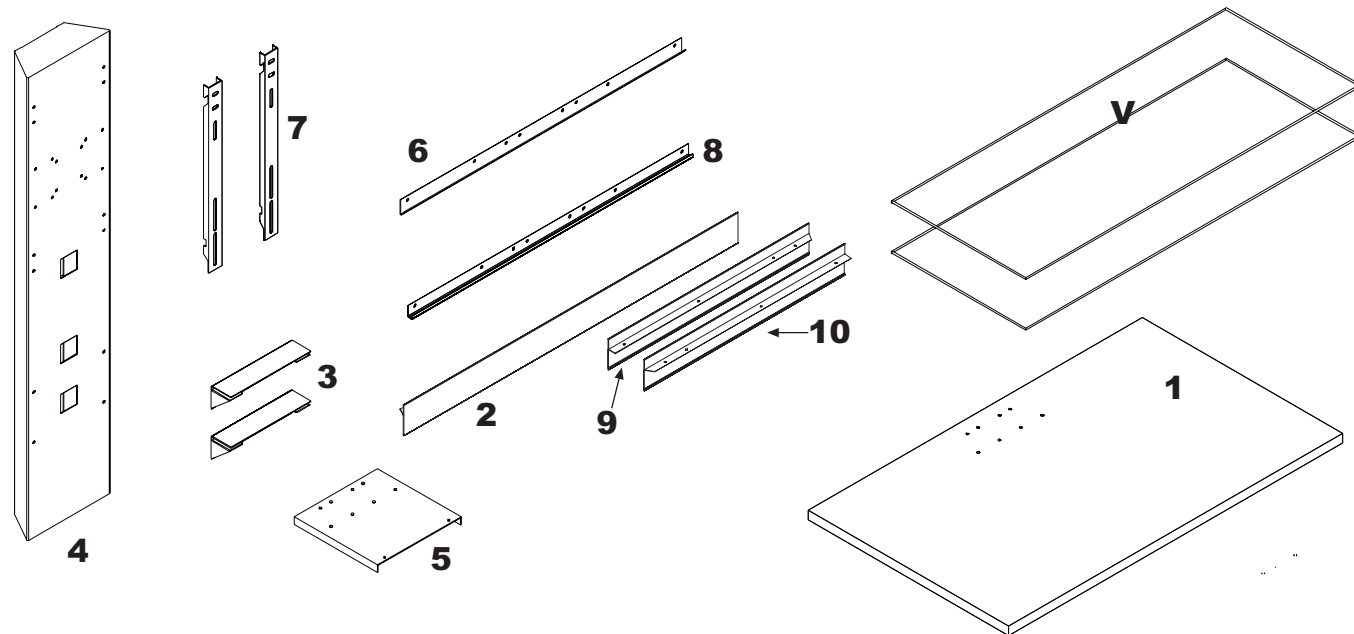
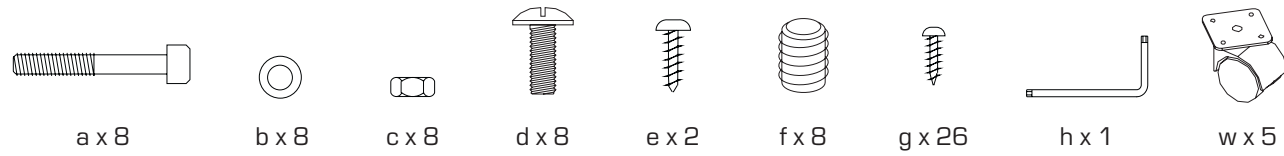
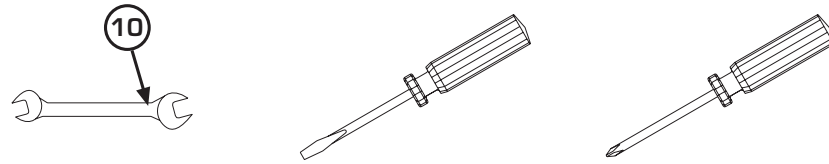


TITAN

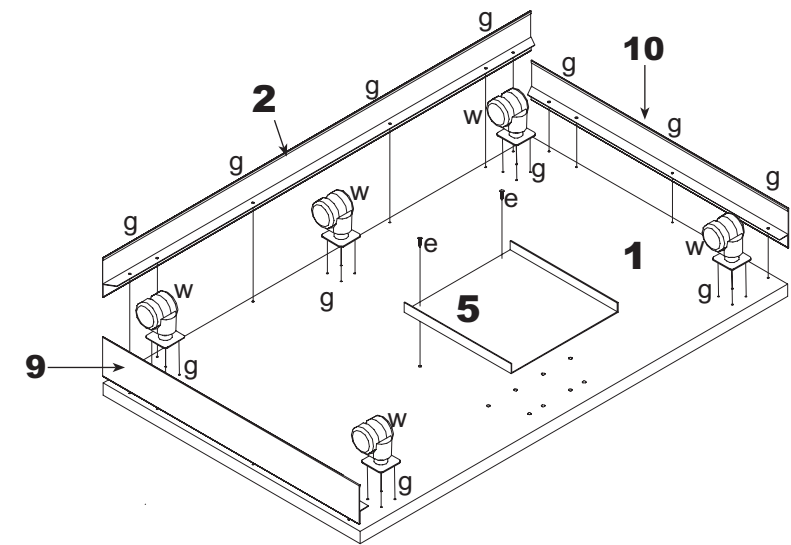
Media Stand



Tools not included

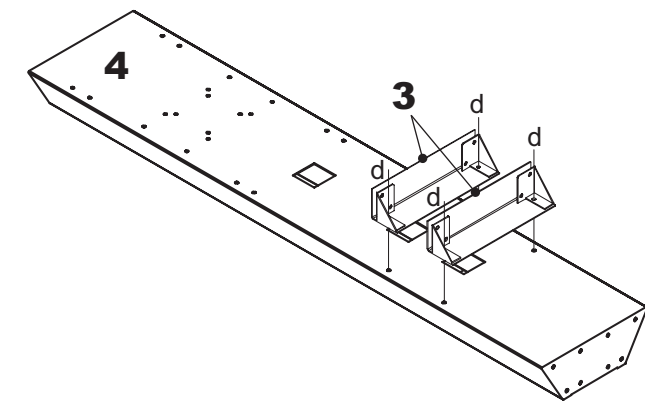


1



Screw the sections 2, 9, 10, the plate 5 and the wheels onto the base panel 1

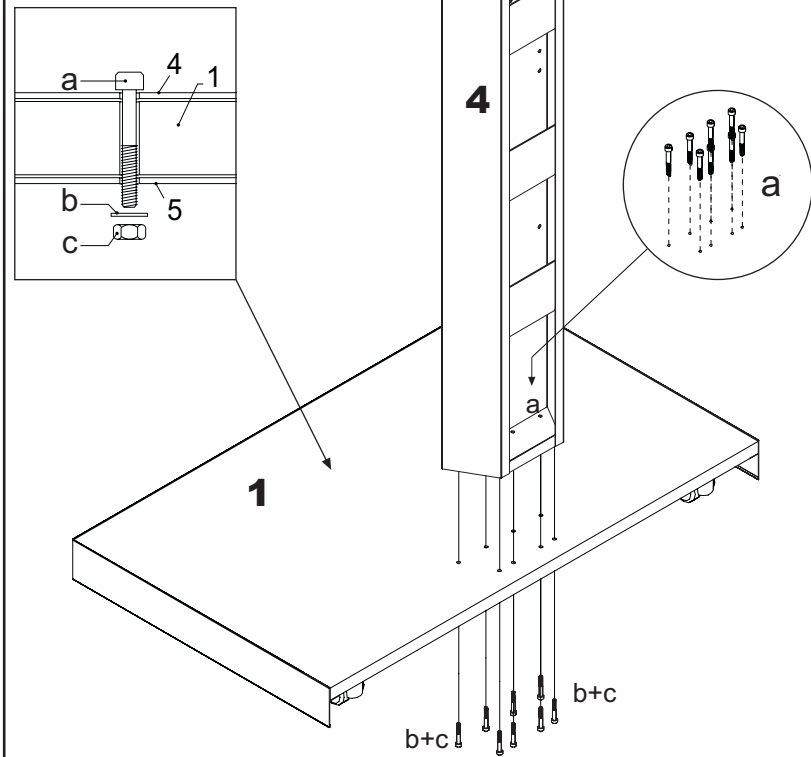
2



Tighten the squares 3 on the column using the screws « d »

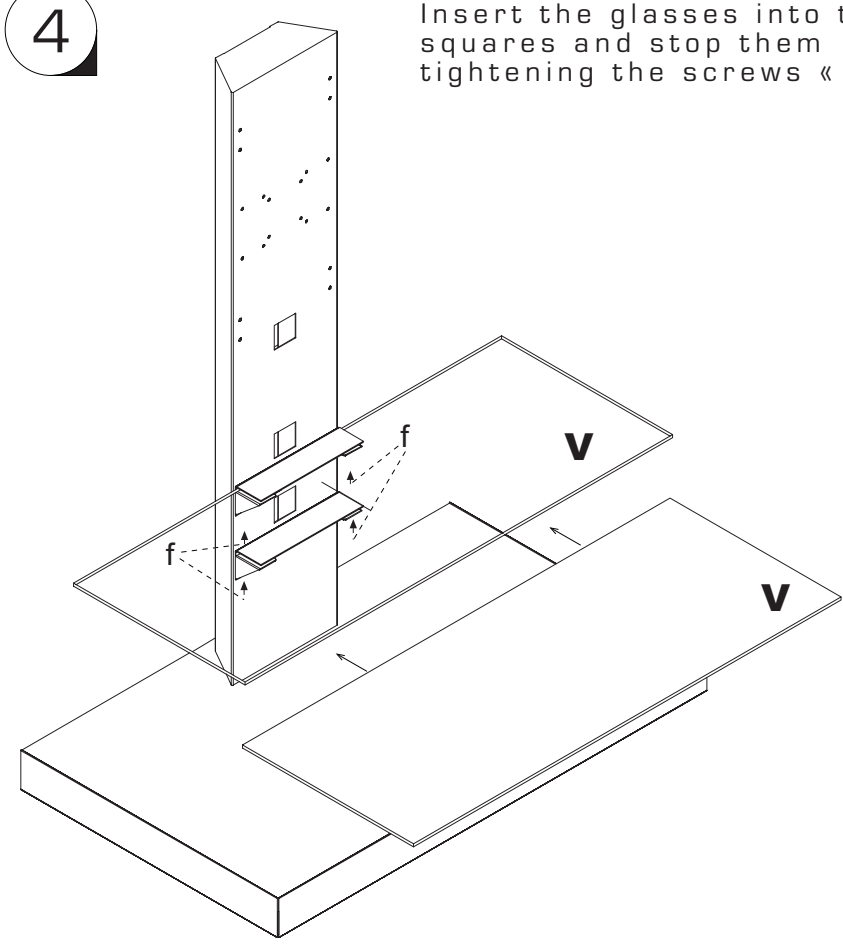
3

Screw the column onto the base panel

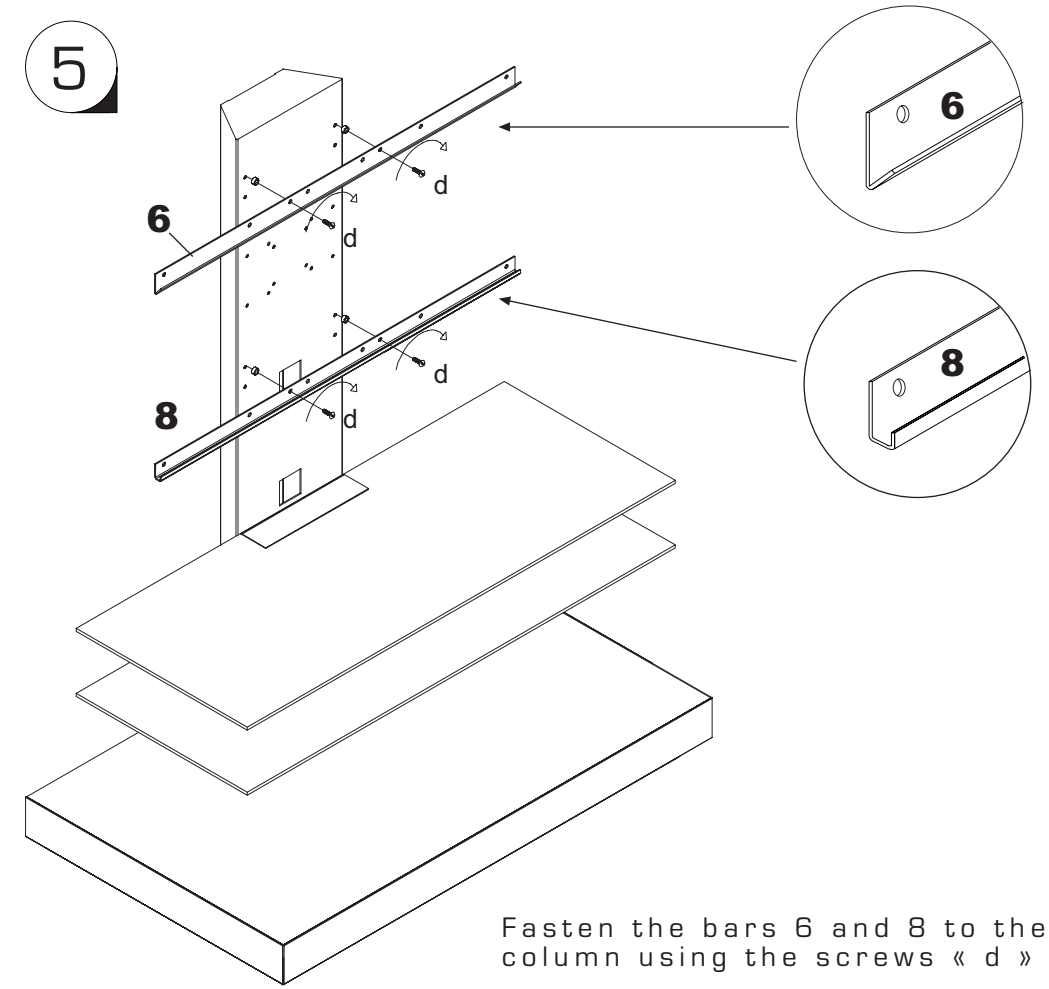


4

Insert the glasses into the squares and stop them tightening the screws « f »



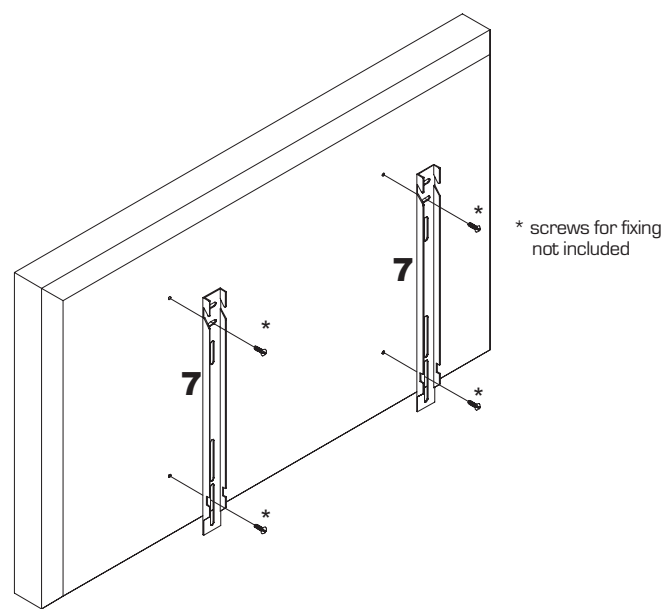
5



Fasten the bars 6 and 8 to the column using the screws « d »

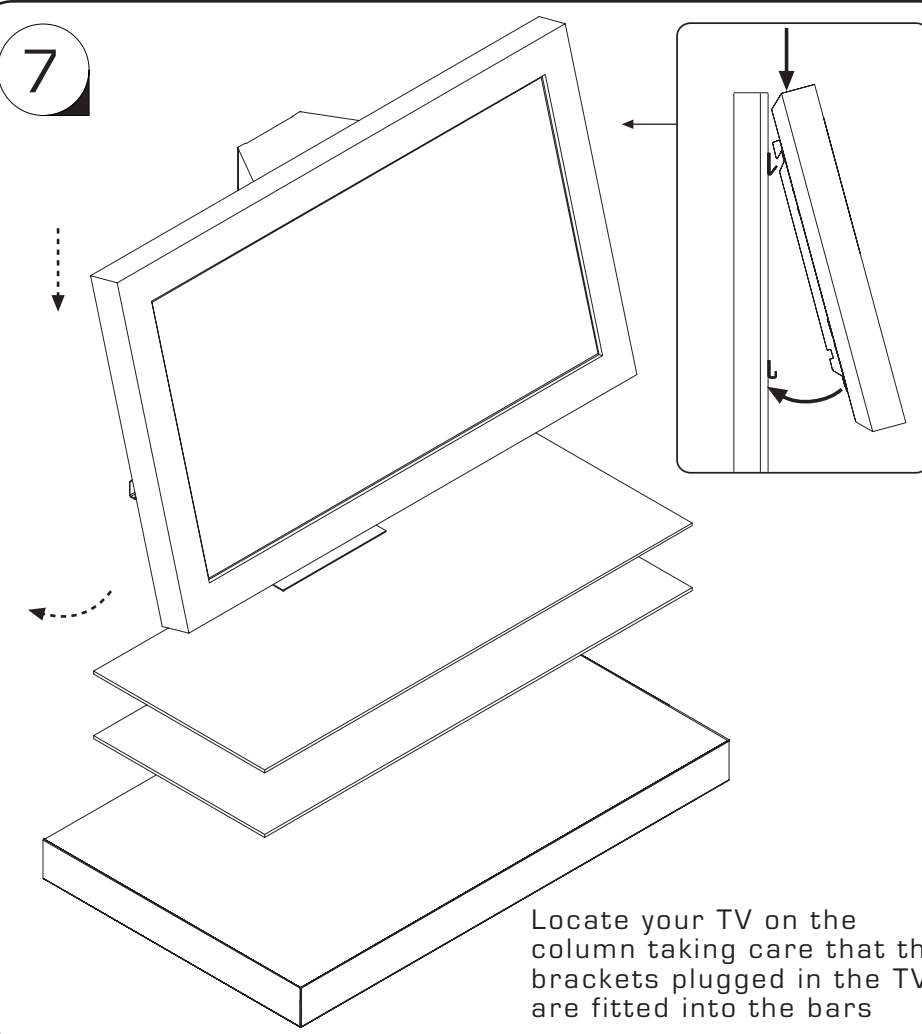
6

Screw the brackets 7 onto the TV using some screws suitable for your TV



* screws for fixing not included

7



Locate your TV on the column taking care that the brackets plugged in the TV are fitted into the bars

8

