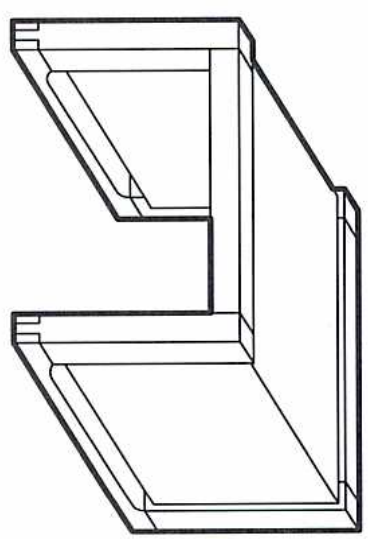
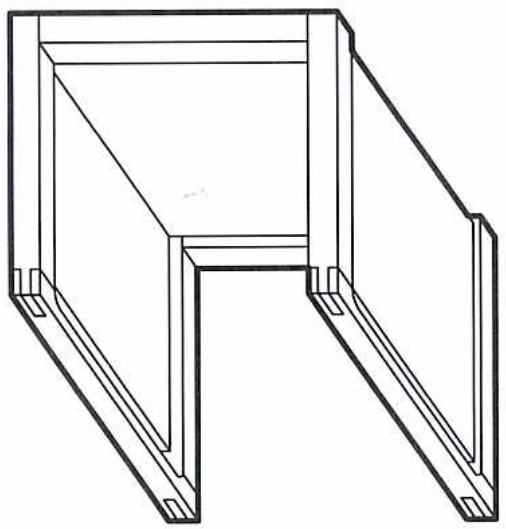
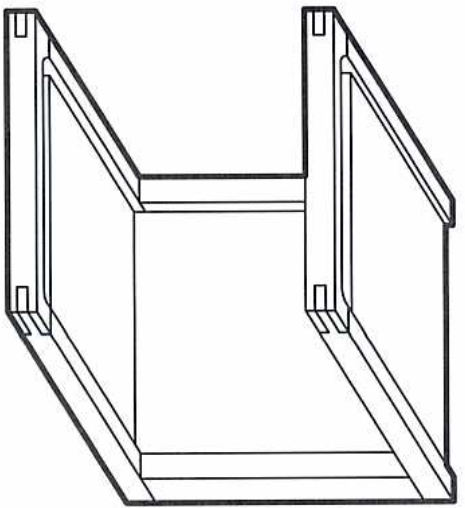


# Matera Collection, 2007

## - NIGHT STAND -

THE MATERA NIGHTSTAND IS DESIGNED TO BE USED IN ANY OF THESE THREE POSITIONS, ACCORDING TO USE OR PREFERENCE.



**NOTE !** USE EXTRA CARE WHEN PLACING AND MOVING THE NIGHTSTANDS TO AVOID DAMAGING SURFACES AND EDGES.