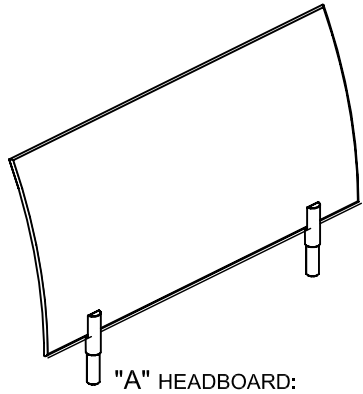
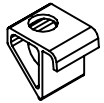


COMPONENTS:

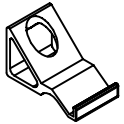


"A" HEADBOARD:
QTY 1

LIST OF SUPPLIED HARDWARE:



"B" UPPER BRACKET:
QTY 2



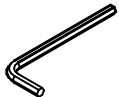
"C" UNDER BRACKET:
QTY 2



"D" M8X20 HEXAGON HEAD SCREW:
QTY 2



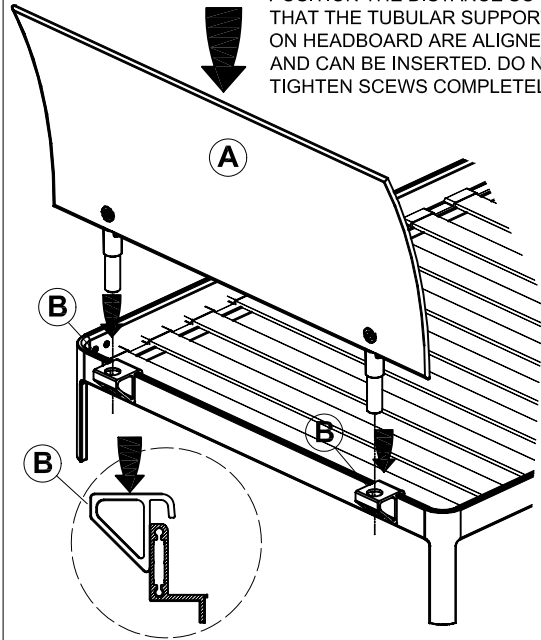
"E" WASHERS:
QTY 2



"F" HEXAGONAL KEY:
QTY 1

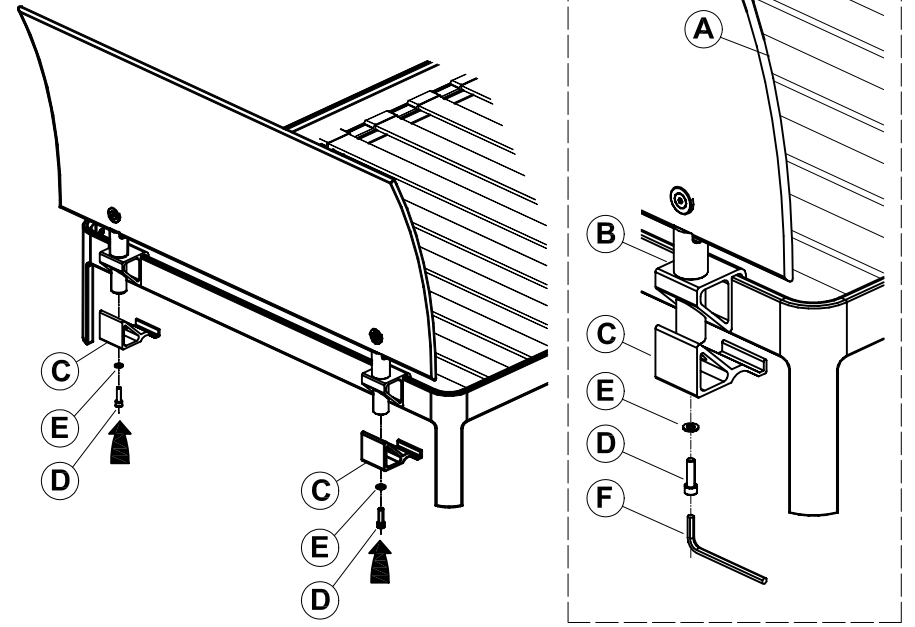
NOTICE: PRODUCT INTENDED TO BE ASSEMBLED BY AN ADULT DUE TO THE PRESENCE OF SMALL PARTS.

STEP 1

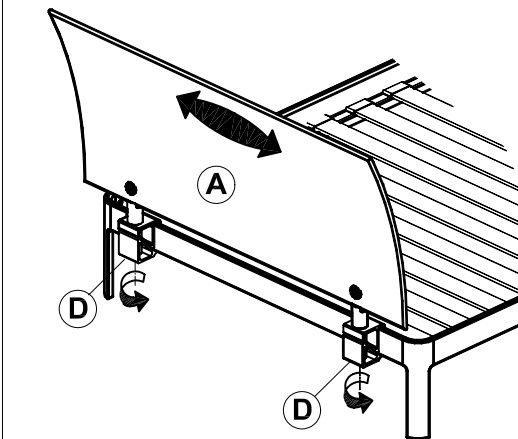


CENTER BRACKETS "B" ALONG
FRAME AND CORRECTLY
POSITION THE DISTANCE SO
THAT THE TUBULAR SUPPORTS
ON HEADBOARD ARE ALIGNED
AND CAN BE INSERTED. DO NOT
TIGHTEN SCREWS COMPLETELY.

STEP 2



STEP 3



COMPLETELY TIGHTEN SCREWS
"D" WITH HEXAGONAL KEY "F".

STEP 4

