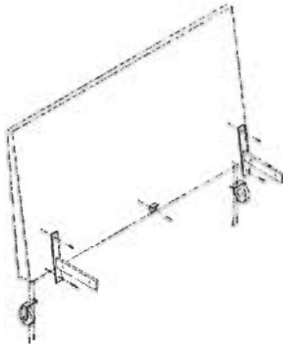


DESIGN
WITHIN
REACH

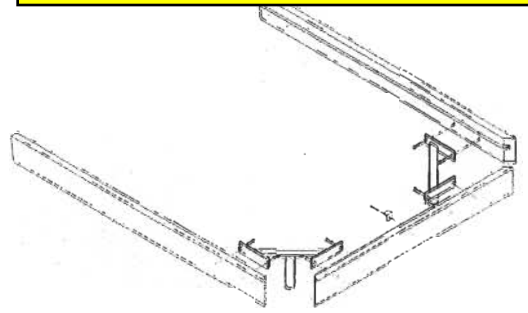
SCREWS COME INSERTED IN RAILS AND HEADBOARD. THEY ARE PLACED IN THE DESIGNATED HOLES IN AN ATTEMPT TO PREVENT THE LOSS OF HARDWARE PACKS DURING SHIPPING. THERE IS NO HARDWARE PACK.

1



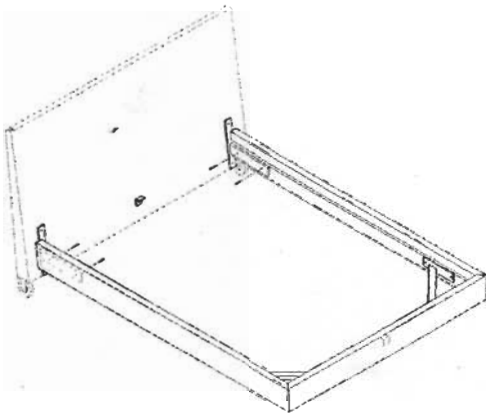
Attach wheels, screw headboard pieces together.

2



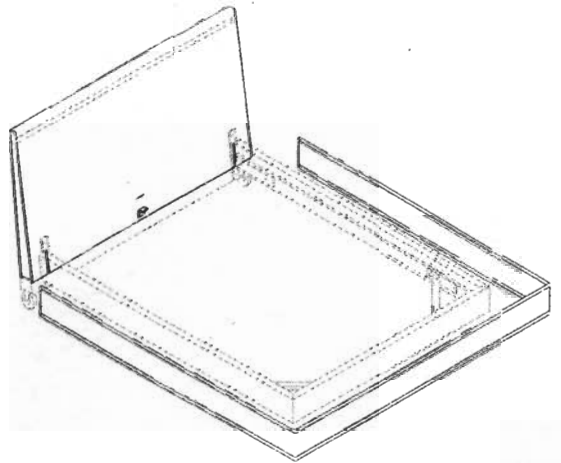
Screw frame pieces together.

3



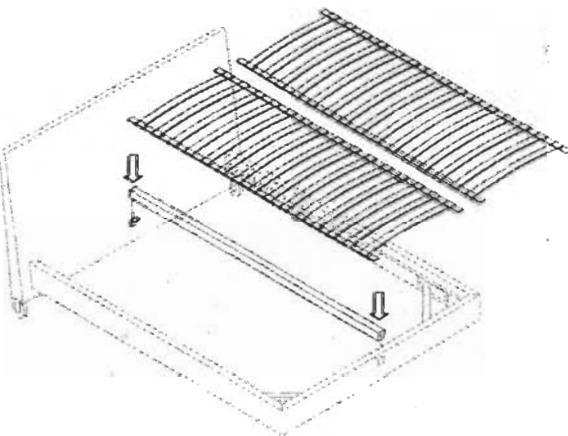
Attach headboard to frame.

4



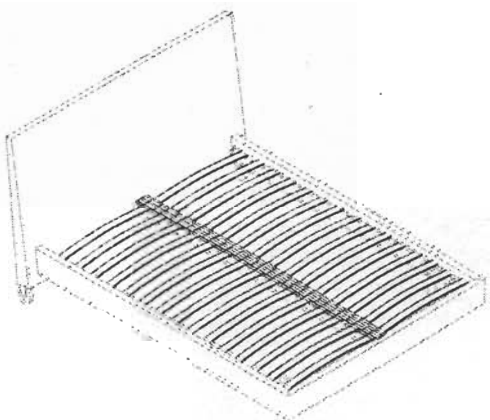
Separate velcro slits and pull cover over headboard. Re-attach slits. Attach frame cover.

5



Place center rail into position. Place bedslats into rubber holders and completely insert into the grooves on the inside of the frame.

6



Line up bedslats over center rail and push into place one pair at a time, starting at the head of the bed working towards the foot.

1 x  22 x 