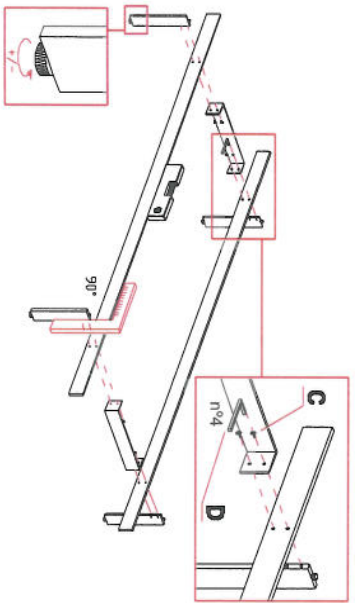


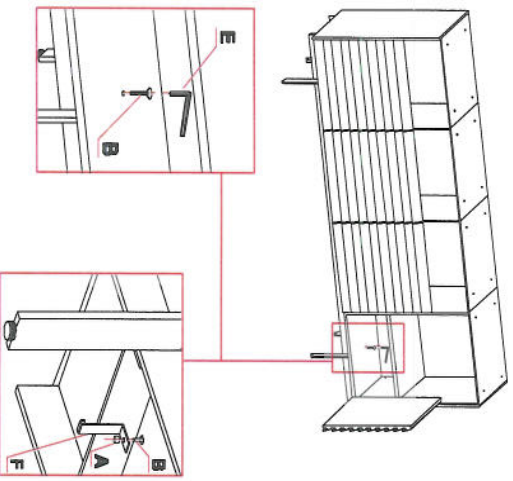
SUSSEX 3/01

Terence Woodgate 2000

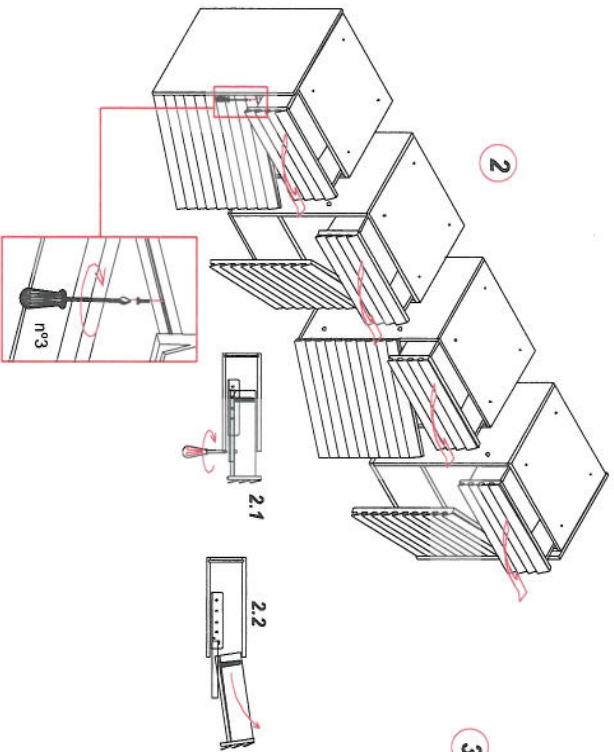
1



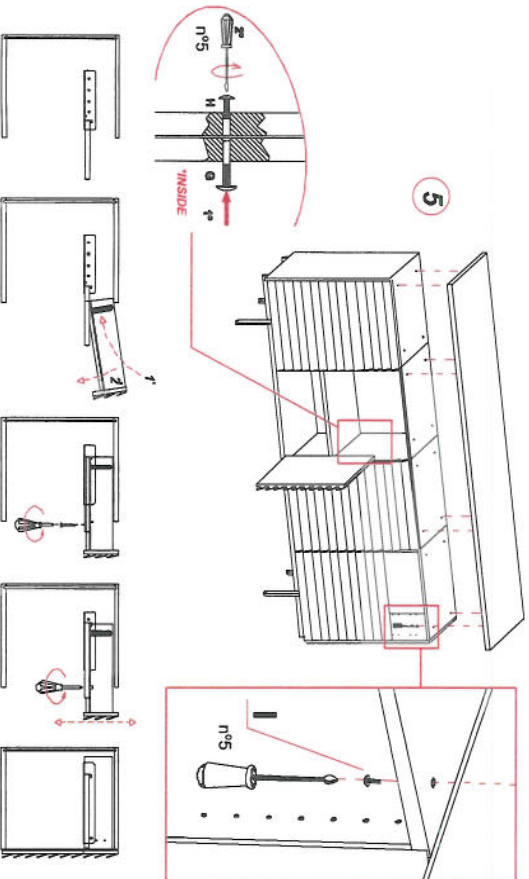
4



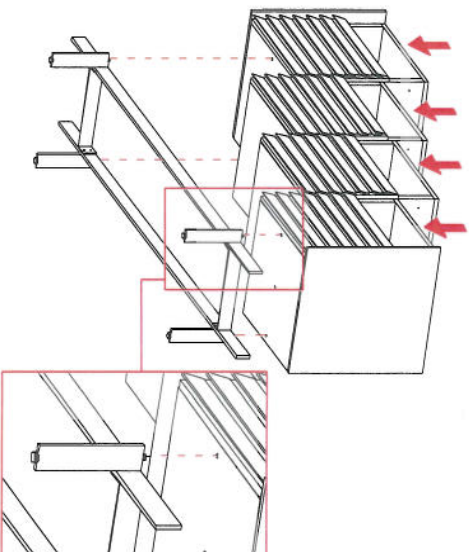
2



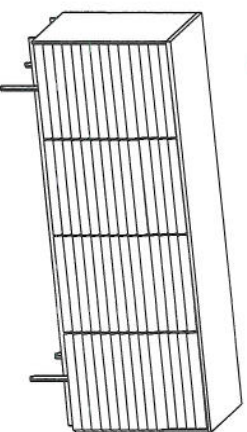
5



3



6



A 2 x 98.815

B 2 x 98.815

C 8 x 98.803

D 1 x ALLEN n°4 98.859

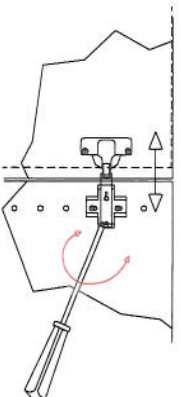
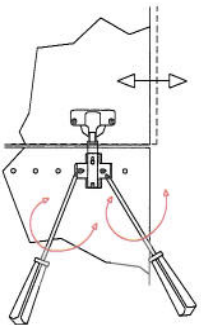
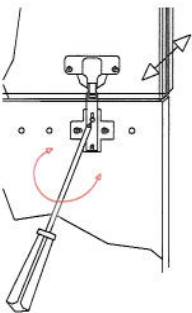
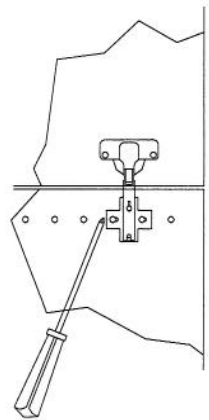
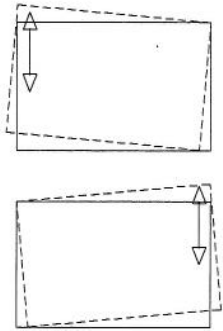
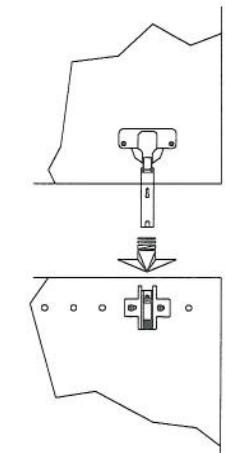
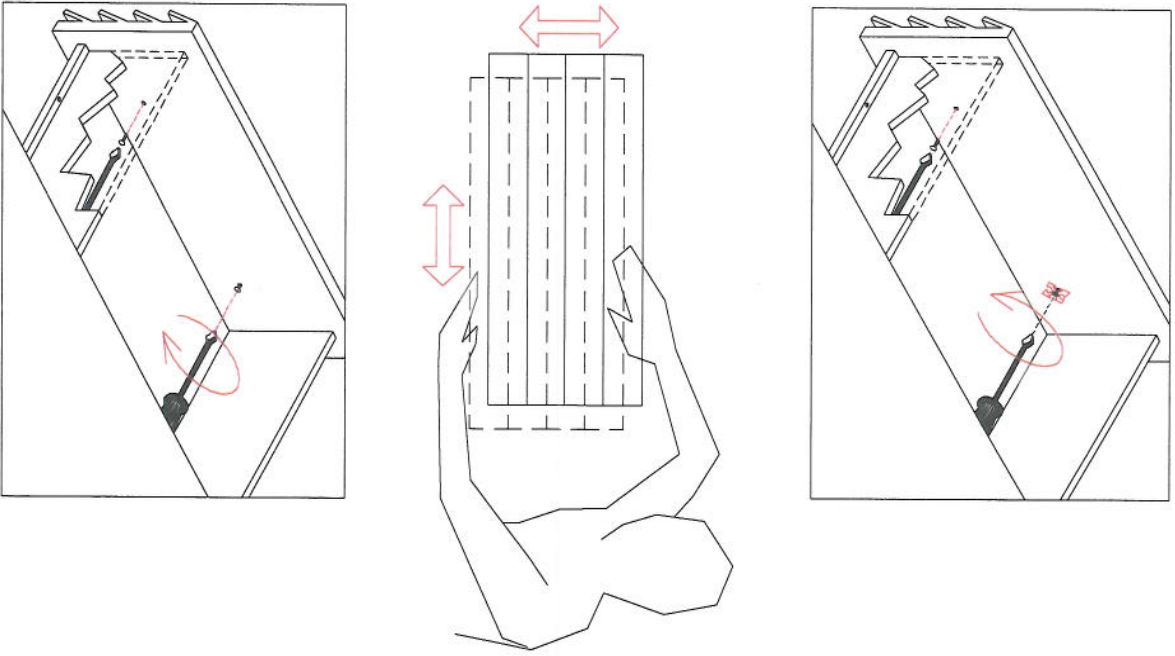
E 1 x ALLEN n°3 98.806

F 2 x 98.448

G 8 x 98.897

H 8 x 98.829

I 8 x 98.875



1
Lateral
adjustment

2
Height
adjustment

3
Depth
adjustment