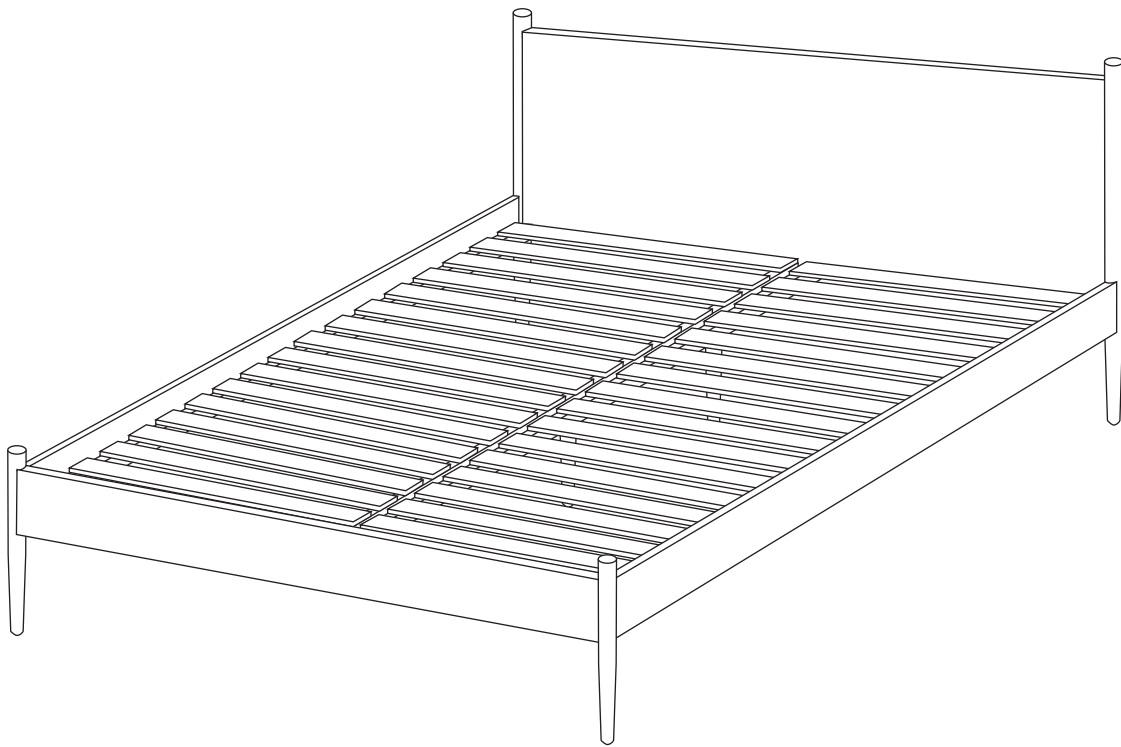


Cove Bed

Designed by Nathan Yong

DESIGN
WITHIN
REACH



Wood Care

Dust with a slightly damp, soft, lint-free cloth. Wipe dry with a dry, soft cloth in the direction of the wood grain. Do not use aerosol cleaners or polishes. Also, do not use polishes containing waxes or abrasives, or polishes that are oil-based.

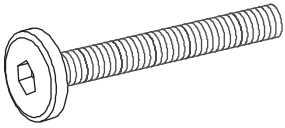
Customer Service:

1.800.944.2233 inside the U.S.

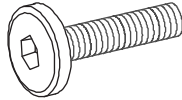
1.203.614.0600 outside the U.S.

Cove Bed

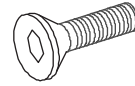
Hardware Checklist



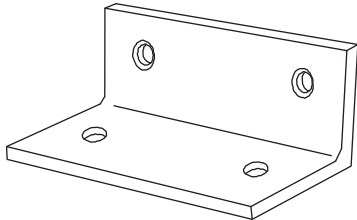
2 X LONG BOLT



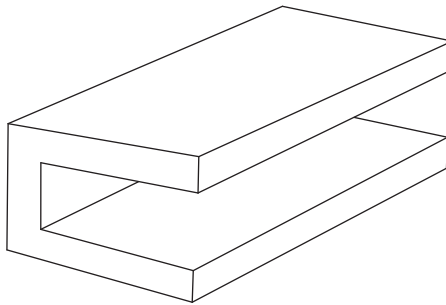
40 X SHORT BOLTS FOR TWIN
80 X SHORT BOLTS FOR FULL
84 X SHORT BOLTS FOR QUEEN OR KING



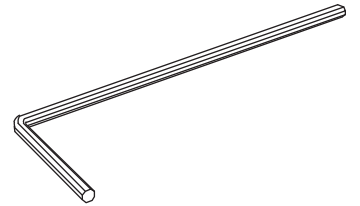
8 X MACHINE SCREWS



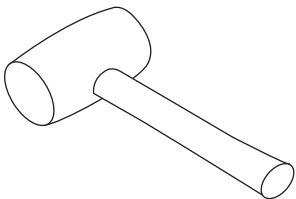
2 X L-BRACKET



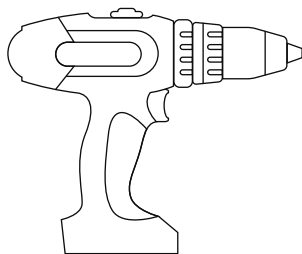
MALLET BLOCK



ALLEN WRENCH



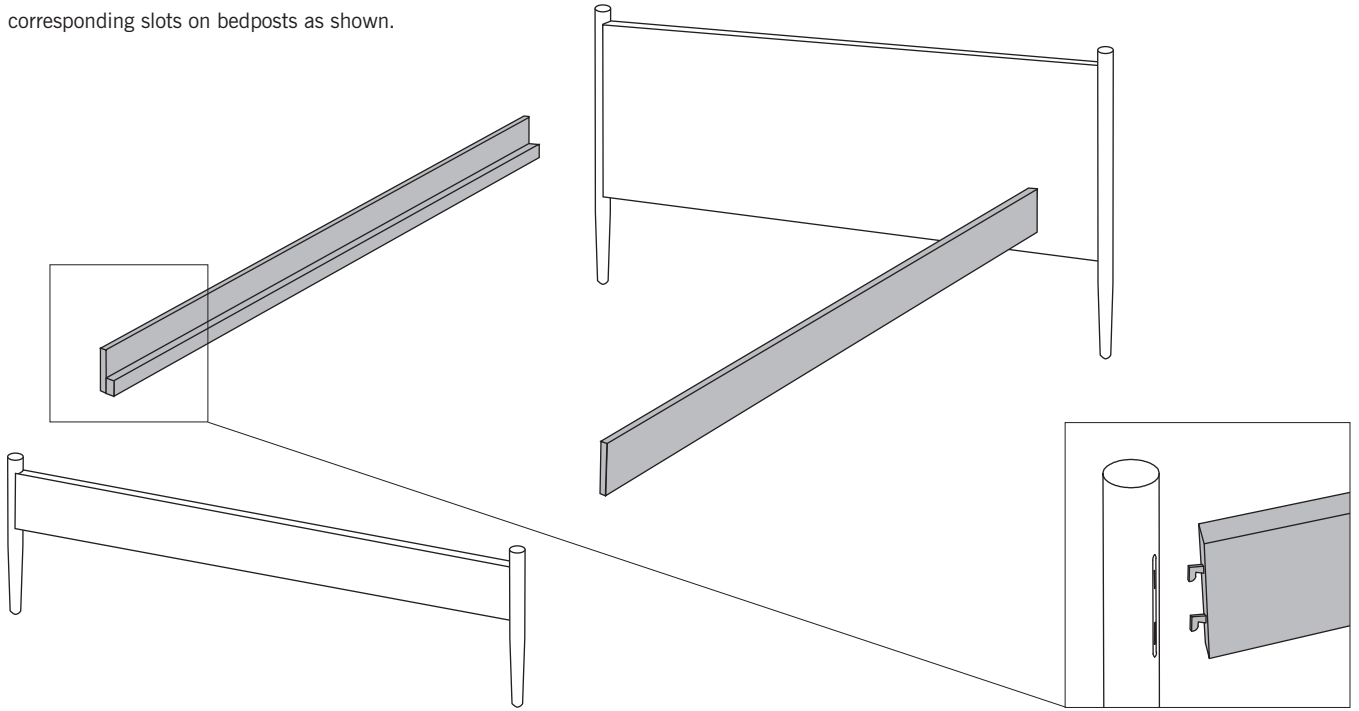
MALLET (REQUIRED TOOL)



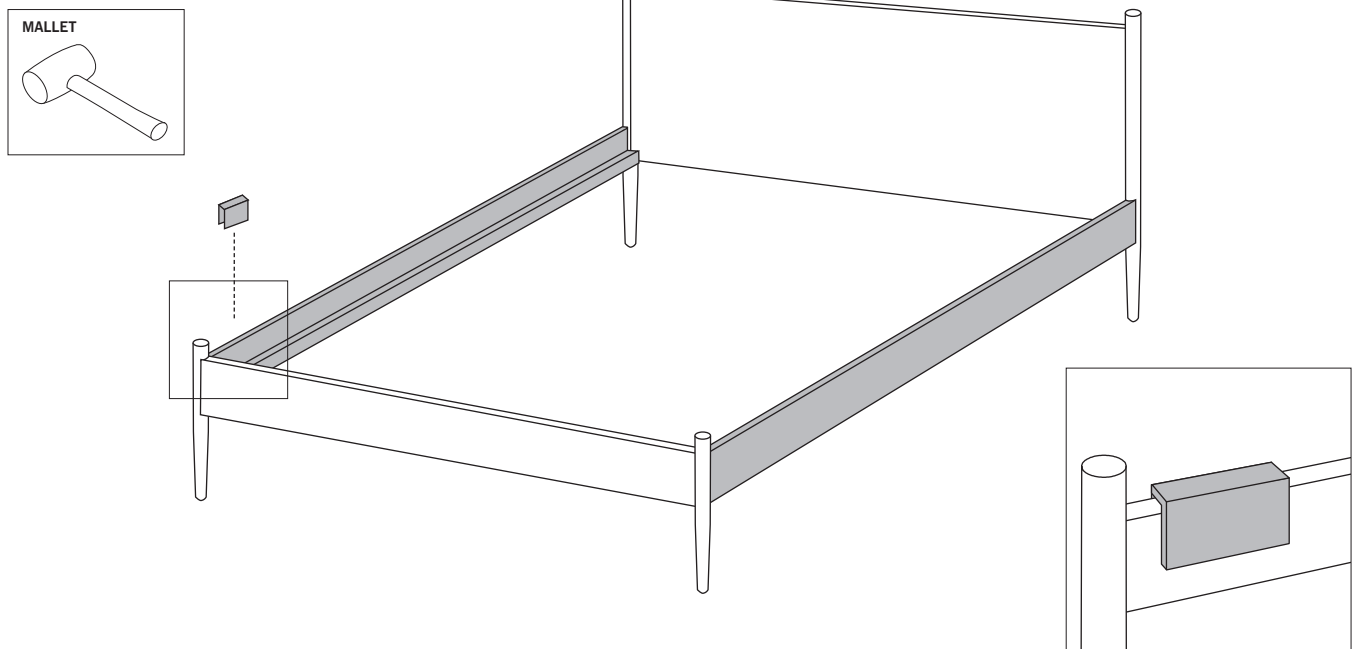
ELECTRIC DRILL (OPTIONAL TOOL)

Cove Bed

1. Attach side rails to headboard and footboard by connecting hooked brackets into corresponding slots on bedposts as shown.

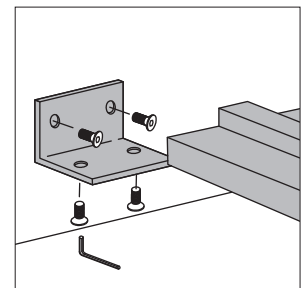
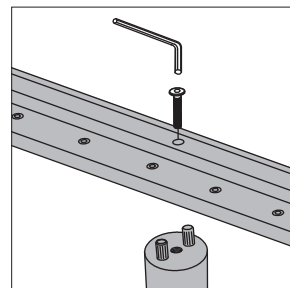
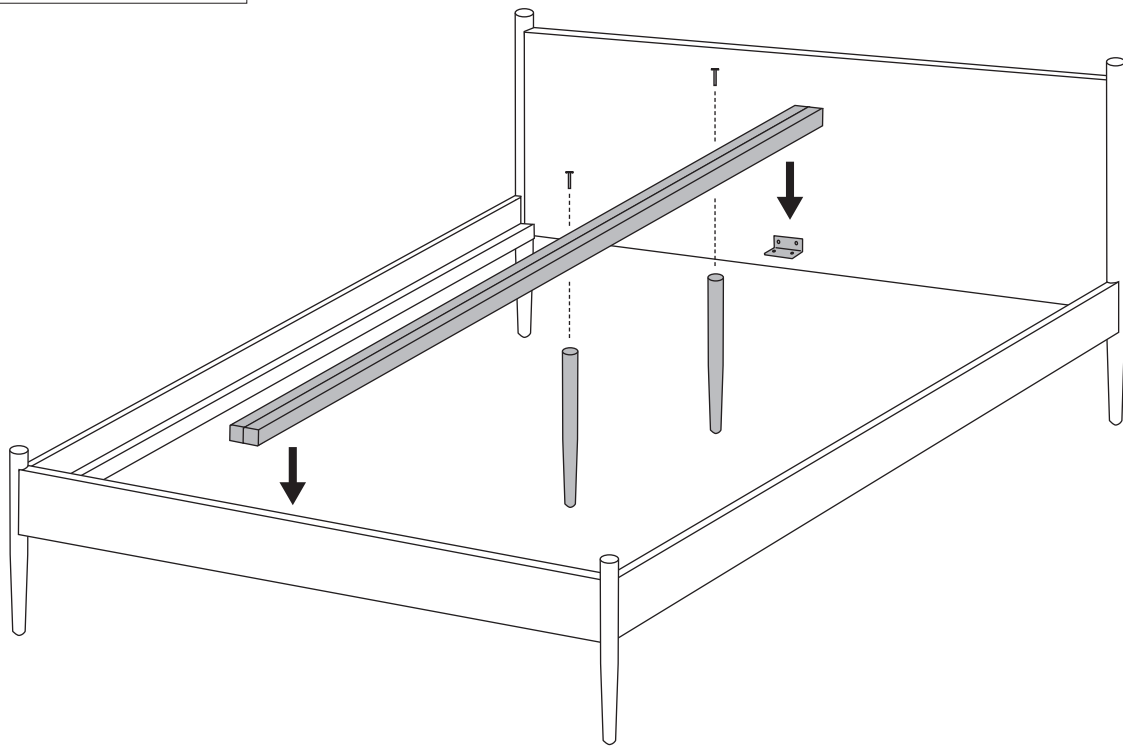
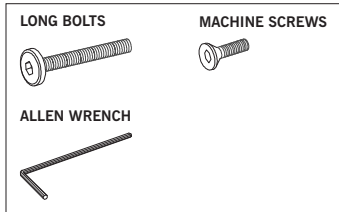


2. Place mallet block over side rail near bedpost, then hit with mallet to firmly lock side rail into place. Repeat with other three corners.



Cove Bed

3. Attach legs to center rail with long bolts as shown. Attach L-brackets to headboard and footboard with machine screws, then rest center rail on brackets and secure with machine screws.



Cove Bed

4. Install slats and secure with short bolts and Allen wrench or drill.

